


B.E.G.

Feel comfortable in your building

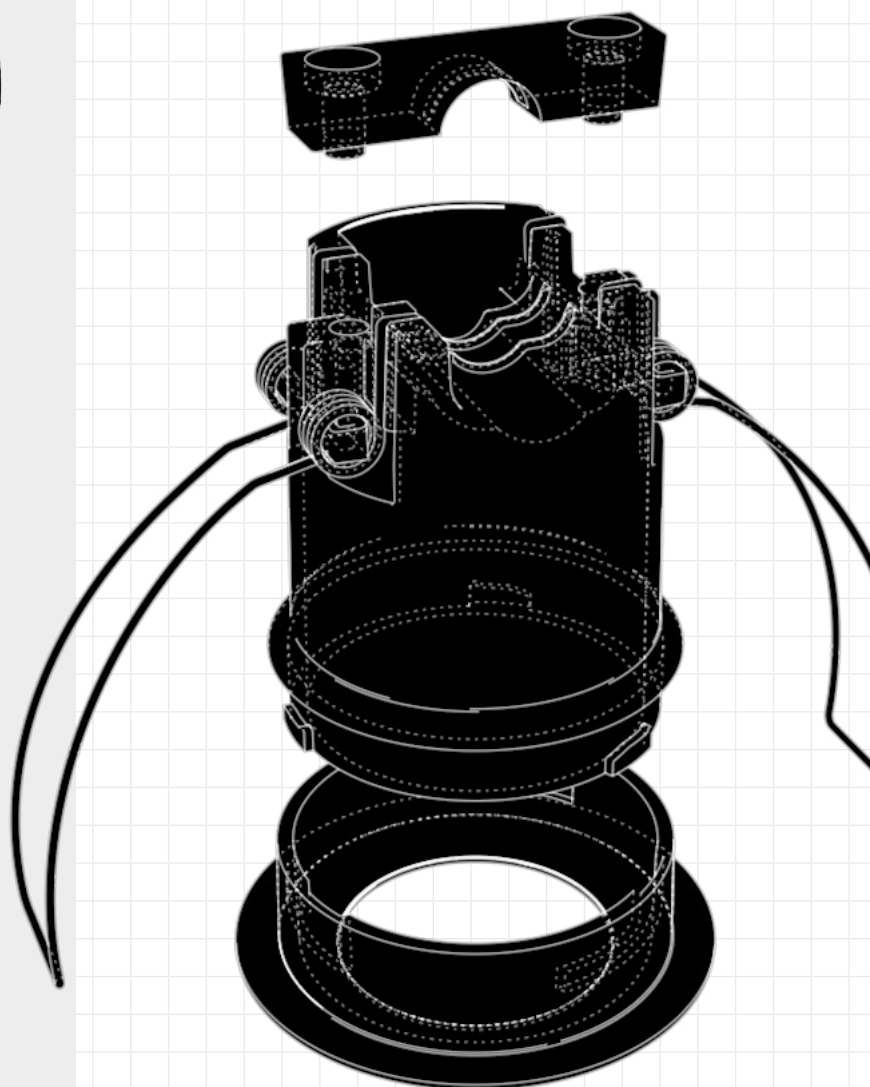


Mounting set PICO

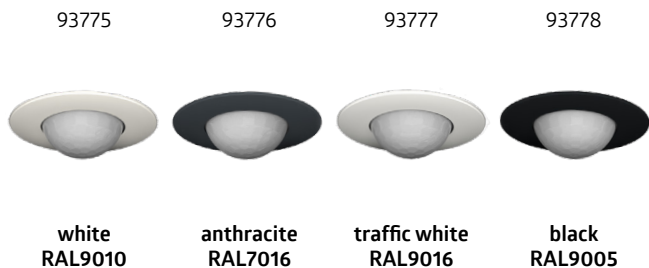
Ceiling mounting kit

The proportions between the ceiling ring and the PICO sensor are optimised to ensure a harmonious appearance on the ceiling. With the matching accessories, which are available in four colours, the PICO becomes an attractive recessed ceiling sensor.

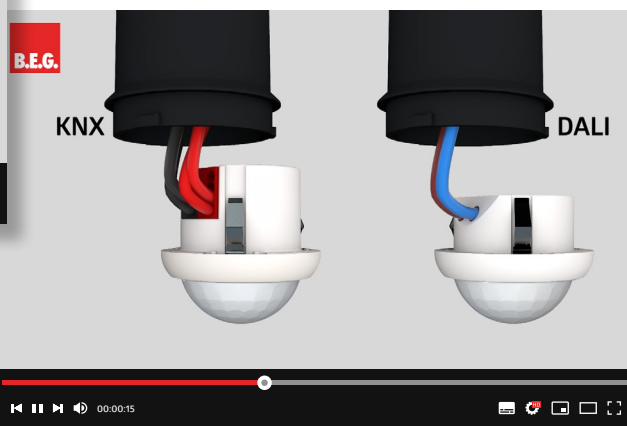
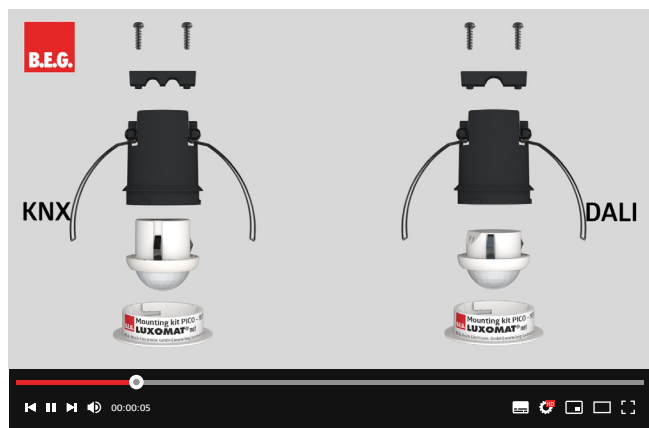
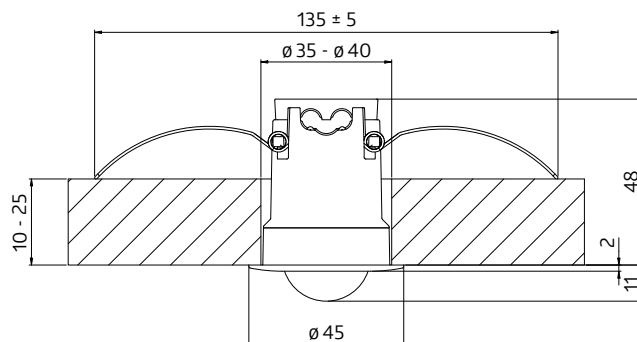
- Compatible with PICO-BMS DALI-2, PICO-KNX, PICO-DALI-LINK and PICO-DALI-SYS
- Equipped with strain relief for two KNX cables or a low-voltage cable with a maximum diameter of 8.5 mm
- Perfect centring of the sensor via the front ring
- Detection area can be restricted with blinds



Colour options



Dimensions



Products

Description	Colour	Part no.
Mounting set PICO	white RAL9010	93775
Mounting set PICO	anthracite RAL7016	93776
Mounting set PICO	traffic white RAL9016	93777
Mounting set PICO	black RAL9005	93778