

Capture large areas safe

The motion detectors of the PD4N series possess extremely large detection ranges thanks to their innovative sensor technology. Thereby they are particularly suitable for monitoring large areas such as parking areas.

Especially with the corridor version long corridors can be motion dependent controlled. Thus, the lighting will be switched on demand and energy can be saved.

Simple setup

The potentiometers are directly under the cover ring. These can be adjusted with a screwdriver to set sensitivity, follow-up time and brightness value. Alternatively, these values can be programmed in to the detector with the remote control or IR-adapter for smartphones(available as accessory).

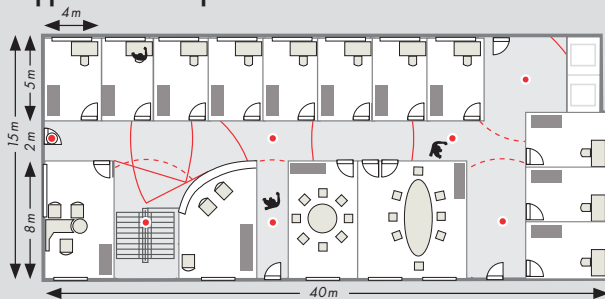
If required, the detection area can be restricted with the included blinds.

Compact design

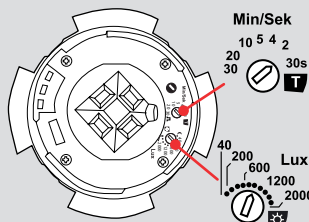
The sensors and power components are located in the PD4N's case. The detector is available in surface-mount and false ceiling version.

For maximum sensitivity the detector-, lens- and corridor-axis must match.

Application example: Corridor

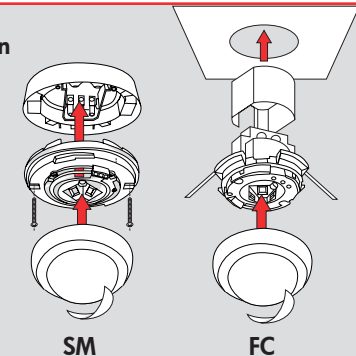


Easily accessible potentiometers



- **Follow-up time (Min/Sek):** Period after which lighting is deactivated after the last movement detected
- **Brightness value (Lux):** Lux value from which a detected movement triggers switch-on of the lighting

Easy installation

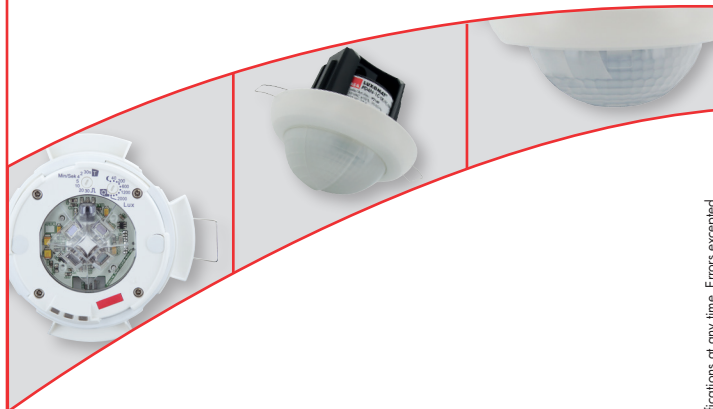
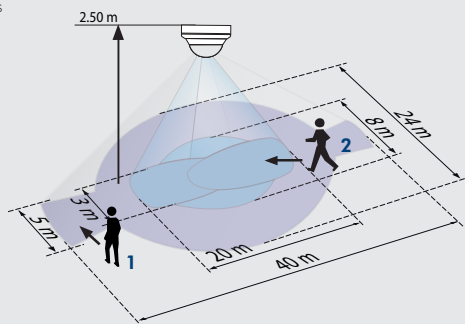


Technical data

	110 - 240V AC; 50/60Hz
	360°
	Ø 40m across Ø 20m towards
	Mandatory mounting height 2.4m - 2.6m
	SM= IP44 FC= IP23 / Class II / CE
	SM Ø 109 x H 65 mm FC Ø 106 x H 90 mm
	-25°C to +50°C
	Housing UV- and shock resistant polycarbonate
	IR-PD3N, IR-PD-Mini
Channel 1 (control the lighting)	
	2300W, cosφ=1; 1150VA, cosφ=0.5
	30 sec. - 30 min. or pulse
	10 - 2000 Lux

Detection area

- 1 ■ Walking across
- 2 ■ Walking towards



Product

Article	Colour	Part-no.
PD4N-1C-C-SM	white	92270
PD4N-1C-C-FC	white	92274

Accessory

Article	Colour	Part-no.
IR-Adapter for Smartphones	black	92726
Remote control IR-PD-Mini	grey	92159
Remote control IR-PD3N	grey	92105
Wire basket BSK (Ø 200 x 90)	white	92199

Remote control
app downloadable
free of charge:



B.E.G. (UK) Ltd.

Q West, Great West Road • Brentford, Middlesex, TW8 0GP
Tel: 0870 850 5412 • Fax: 0870 850 5413
info@beguk.co.uk • www.beg-luxomat.com

MARLIN Electrical Ltd

10 Vesey Place • Dun Laoghaire • Glenageary, Co. Dublin
Tel: +353 (0) 12 80 72 05 • Fax: +353 (0) 12 80 77 76
www.beg-luxomat.com



www.beg-luxomat.com

Large detection

Ceiling-mounted motion detector
designed for corridors



PD4N-1C-C