

Installation and Operating Instruction

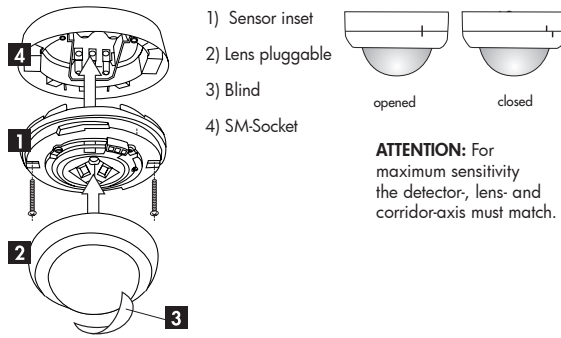
1. Mounting preparations

Work on the 230V mains supply may only be carried out by qualified professionals or by instructed persons under the direction and supervision of qualified skilled electrical personnel in accordance with electrotechnical regulations.

Disconnect supply before installing!

The device is not suited for safe disconnection of the mains supply.

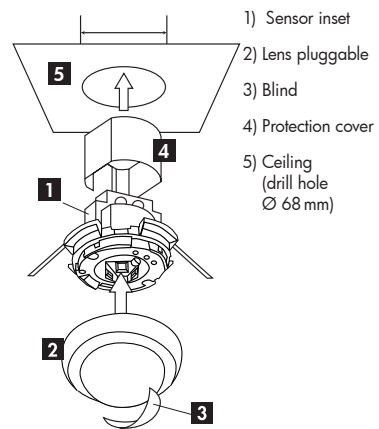
2a. Installation of the LUXOMAT® PD4N-1C-C-SM



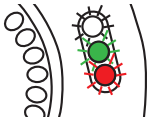
ATTENTION: For maximum sensitivity the detector-, lens- and corridor-axis must match.

The detector must be installed on a solid and level surface. There is no need for frames.

2b. Installation of the LUXOMAT® PD4N-1C-C-FC



2d. Self test cycle



Initialization

In the first 60 seconds after connecting the power supply the LUXOMAT® PD4N-1C-C will go through a self test cycle. During this time the device doesn't respond to movement, but will stay on the status depending on the selected initialization mode on or off (INI OFF or ON).

Warning: In the Ini-OFF mode, does not switch on lights at power start up. After 60 seconds, detector would switch on lights on upon detecting movement.

3. Putting into operation / Settings

Follow-up time "Min/Sec"
The time can be set infinitely variably at between 30 seconds and 30 minutes.
Symbol \square : impulse < 1 sec.
Symbol **TEST**: Test mode
(Every movement switches on the light for a period of 1 second, switching it off for a period of 2 seconds regardless of the level of brightness)

Determining the current brightness
Set potentiometer to the "Test" setting. The green LED lights up permanently as soon as the value set at the potentiometer "Lux" drops below the current measured brightness.

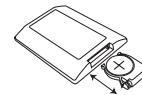
Twilight-switch "Lux"
The switch-on value for the light can be set at between 10 and 2000 Lux. Using the rotary control, the luminance set points can be set as desired.
Symbol \odot : Day operation, light sensor is inactive, it switches on/off regardless the light level



Sensitivity/Range

Adjustment of sensitivity for reduction of range resp. for minimization of failure switching on outdoor area.

4. Settings carried out using remote control (optional)



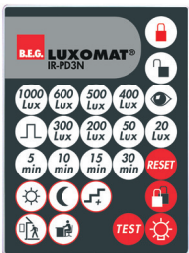
Remote control LUXOMAT® IR-PD3N

1. Check Battery:
open battery compartment by pressing the plastic springs together and removing the battery-holder.

2. Hardware Reset
Reset: The setting of "factory-setting" from any other position causes a "Reset" of the device. That means all operating modes activated at that time are reset to the factory setting (fast flashing of all LEDs for 5 seconds).

Caution:
Settings with remote control supersede the settings by courtesy of potentiometers.

Option:



IR-PD3N

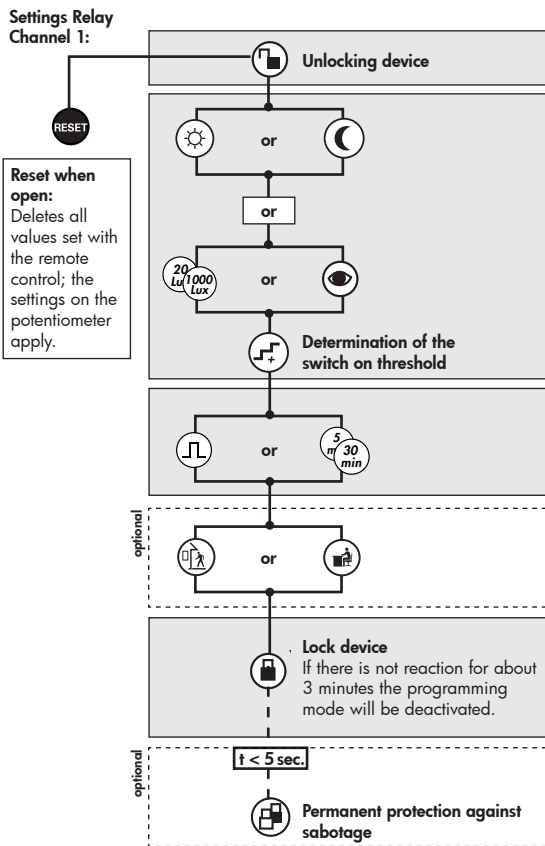


Wall bracket for remote control IR-PD3N



IR-PD-Mini

Settings with remote control



Description of the button functions

- Luminance set point**
Day operation: light sensor is inactive, it switches on/off regardless the light level / **Night operation:** very low luminance set point of approx. 10 Lux for special applications
- Automatic reading in the current light value as new luminance set point**
- Determination of the switch on threshold**
Stepwise increasing of the actual luminance set point of 20 Lux every time you push the button (50 Lux from 100 Lux)
- Follow-up time / Impulse function Channel 1**
- Sensitivity normal / Sensitivity high**
- Activation of test mode in locked position**
Deactivation: Press Reset
- Resetting when closed**
Stop a running follow up timer and switch the relays off.
- Permanent protection against sabotage**
This function blocks the unit permanently (green LED is illuminated for motion display). This operating mode can only be activated during the period of 5 seconds after pressing the "lock" button (white LED is flashing). The procedure for leaving this mode is to implement a Reset (see point 4) or to act as follows:
 1. Switch off the current
 2. Apply current for 31 - 59 seconds
 3. Switch of the current again
 4. Apply current
 5. Open detector
- In the initialisation period**
- Light during the initialization**
The light is on by default in the initialization time. On / off with the „Light“ button during Initialization. The final condition is then active.
- 12 h Light ON/OFF (party function)**
Activated by "Light" - push button
Deactivated by "Reset" - push button (default)

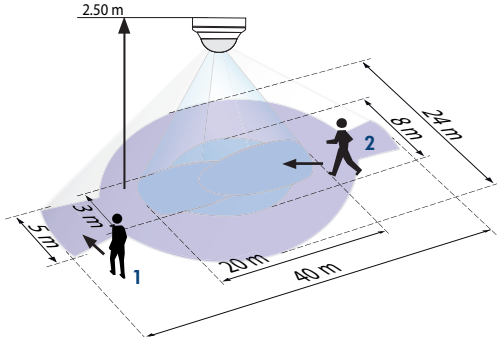
5. Manual Switching



You can switch the lighting on and off manually by pressing the pushbutton for a short time. It will stay on or off as long as people are detected plus the configured follow up time.

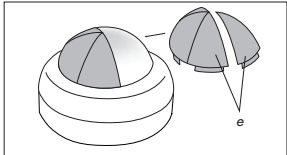
By pushing the button for more than 3 seconds the lighting will be switched on for 12 hours (Party program) and returns to full automatic mode after timeout.

6. Range



- 1 ■ walking across
- 2 ■ walking towards

7. Exclude sources of interference



In case the sensing area of the LUXOMAT® PD4N-1C-C is too large or areas are being covered that should not be monitored, the range can be reduced or limited by using the enclosed masking clips.

8. Article / Part no. / Accessory

Type	SM	FC	FM
PD4N-1C-C	92270	92274	-

LUXOMAT® Remote control:
 IR-PD3N (incl. wall bracket) 92105
 IR-PD-Mini 92159

Accessory:
 BSK Ball basket guard 92199

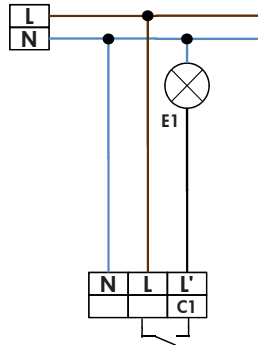
9. LED-functional indicators

LED function indicators after each mains recovery (60 sec. initialisation period)		
Operating state	LED function indicators	
Double-locked	White and green shines for 5 sec. all 20 sec., afterwards initialising notification	
	Indicator unprogrammed	Indicator programmed
Standard mode	Red flashes	Red flashes quickly
12 h ON/OFF active	Red and green flash	Red and green flash quickly

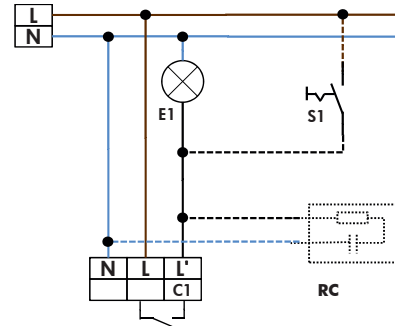
LED function indicators during operation	
Process	LED function indicators
Motion detection	Red flashes on each detected movement
Impulse mode active	Red and green flash one time all 4 sec.
12 h ON/OFF function active	Red and green flash alternately
IR command	White flashes once
IR command "Open" and sabotage active	White and green flash once slowly

10. Wiring diagrams

Standard mode with 1-channel motion detector

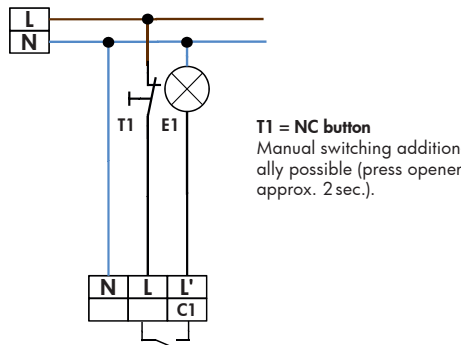


Standard mode with 1-channel motion detector with permanent light function



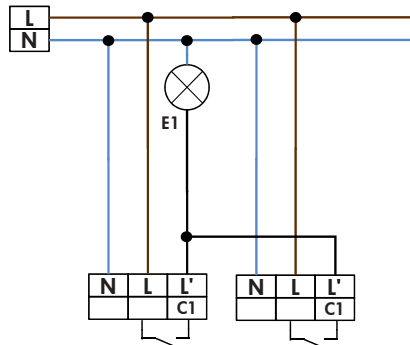
optional:
 S1 = switch for permanent light
 RC = RC-suppression kit if required

Standard mode with 1-channel motion detector with NC pushbutton

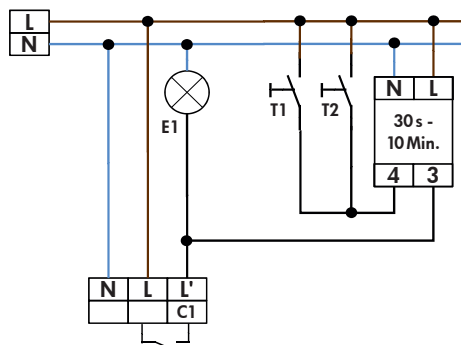


T1 = NC button
 Manual switching additionally possible (press opener approx. 2 sec.).

Parallel connection with 1-channel motion detectors (max. 8 parallel)



Standard mode with 1-channel motion detector (f.ex. stairs)



11. Technical data PD4N-1C-C

Sensor and power supply in one case
Power supply: 110 - 240 VAC, 50/60 Hz
Terminal clamps: for single-wire conductor
Power consumption: < 0.25 W
Ambient temperature: -25°C - +50°C
Degree of protection/class: SM = IP44; FC = IP23 / Class II
Settings: via potentiometer or remote control
Area of coverage: circular 360°
Range of coverage Ø H 2.5 m / T=18°C: tangential 40 m / radial 20 m
Recommended height for mounting: 2.40 - 2.60 m
Lux values: 10 - 2000 Lux
• Channel 1 for light-connection
Type of contact: NOC / with pretravel tungsten contact and zero crossing circuit
Contact load: 2300 W cos φ = 1 / 1150 VA cos φ = 0.5, μ-Contact
Time-settings: 30 sec. - 30 min. / Test
Dimensions H x Ø [mm] SM FC
 PD4N 65 x 106 95 x 106
Visible portion when built into ceiling: 34 x 106 mm

CE Declaration of Conformity: The product complies with the low voltage recommendation 2006/95/EC and the EMV recommendation 2004/108/EC.

12. Trouble shooting

1. Lamp does not light up

Lamp may be defect:
 Replace lamps
 No mains connection/power:
 Check connection and mains fuse by qualified electrician

Incorrect setting of CDS twilight threshold:
 Correct setting of CDS threshold

Lens of sensor unit obstructed by dirt or other objects:
 Clean lens, remove objects

2. Lamp turns ON too late or detection range too small

LUXOMAT® PD3 is mounted too high:
 See table of mounting heights.
 Correct mounting if required.

3. Lamp stays ON continuously

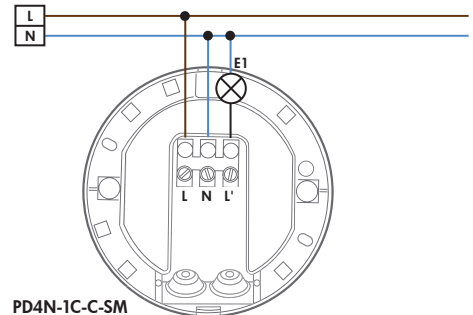
Continuous thermal activity detected ie fan, central heating ducts, animals within detection area:
 Remove heatsource. Check proper function of LUXOMAT® PD3N by covering the fresnel-lens. After expiry of delay timer, PD3N has to turn OFF lighting.

LUXOMAT® PD3N connected in parallel to a manual override switch:
 Connect switch correctly

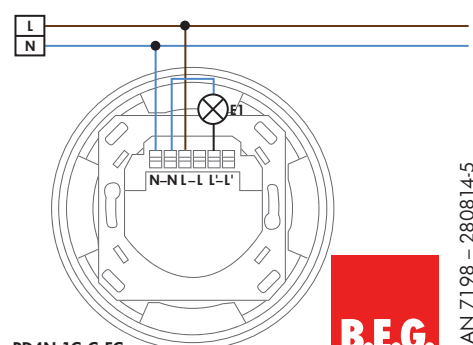
4. Unintended switching of light

Movement of heat source within detection area:
 Check on presence of animals, fans or heaters

13. PD4N-1C-C-Connections



PD4N-1C-C-SM



PD4N-1C-C-FC

