

Installation and Operating Instruction

1. Mounting preparations

Work on the 230 V mains supply may only be carried out by qualified professionals or by instructed persons under the direction and supervision of qualified skilled electrical personnel in accordance with electrotechnical regulations.

Disconnect supply before installing!

2a. Installation of the LUXOMAT® PD3-1C-SM

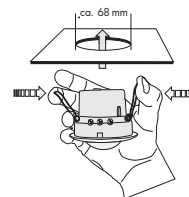


The detector must be installed on a solid and level surface. There is no need for frames.

For mounting remove lens (C) (turn anticlockwise). Fasten the mounting base to the ceiling.

Having connected up the wires in accordance with regulations, secure the detector with 2 screws as per the illustration above.

2b. Installation of the LUXOMAT® PD3-1C-FC



The detector has been designed and developed specifically for installation in suspended ceilings.

A circular opening of diameter 68 mm must be cut into ceiling.

Having connected up the cables in accordance with regulations, the detector is inserted into the opening as shown in the drawing above and fixed into position with the assistance of the spring clips.

3. Putting into operation / Settings

Initialization

In the first 60 seconds after connecting the power supply, the LUXOMAT® PD3-1C goes through a self-check. During this time the detector does not react to the movements, but the detector stays on or off, depending on the choice of the initialization mode.



INI-OFF/ON

You can adjust, whether the detector stays on or off during the first 60 seconds of the initialization mode.

⚠ Attention: During INI-OFF the detector does not switch on, after adding the power supply. Even a movement brings the detector to switch on after 60 seconds.

Follow-up time for light control

The time can be set infinitely variably at between 30 seconds and 30 minutes.

Symbol Π : impulse < 1 sec.

Symbol TEST: Test mode

(Every movement switches on the light for a period of 1 second, switching it off for a period of 2 seconds after that regardless of the level of brightness.)

Twilight-switch for light control

The switch-on value for the light can be set at between 10 and 2000 Lux. Using the rotary control, the luminance set points can be set as desired.

Symbol ☾ : Night-time operation

Symbol ☀ : Daytime/Night-time operation

Adjusting sensitivity

For sensitivity adjustment of the detector, both in the interior and the exterior range, the PD3-1C is equipped with an additional knob (see pictures) for excluding sources of interference, e.g. bad weather conditions or draught air.

Max: for interior use (recognition of the slightest movements)

Min: for exterior use (exclusion of sources of interference)

4. Technical data PD3-1C

Sensor and power supply in one case

Power supply: 230 V~ ±10%

Power consumption: < 1 W

Ambient temperature: -25°C to +50°C

Degree of protection/class: SM IP44, FC IP20 / II

Settings: locally

Area of coverage: circular 360°

Range of coverage Ø H 2.50 m / T = 18°C:

smaller movements 4 m / tangential 10 m / radial 6 m

Recommended height for mounting:

2 - 3 m

Light measurement: mixed light, daylight + artificial light

Lux values - Potentiometer: 10 - 2000 Lux

• Channel 1 for light-connection

Type of contact: NOC/with pretravel tungsten contact

Contact load: 2000 W, 230 V~, cos φ=1 / 1000 VA cos φ=0.5

Time-settings: 30 sec. - 30 min. / Test

Dimensions H x Ø [mm] AP DE

PD3-1C 52 x 106 84.5 x 80

Visible portion when built into ceiling: 15 x 80 mm

Version: v.01

CE Declaration of Conformity: The product complies with the low voltage recommendation 2006/95/EC and the EMV recommendation 2004/108/EC.

5. Trouble shooting

1. Lamp does not light up

Lamp may be defect:

Replace lamps

No mains connection/power:

Check connection and mains fuse by qualified electrician

Incorrect setting of CDS twilight threshold:

Correct setting of CDS threshold

Lens of sensor unit obstructed by dirt or other objects:

Clean lens, remove objects

2. Lamp turns ON too late or detection range too small

PD3-1C is mounted too high:

Correct mounting if required.

3. Lamp stays ON continuously

Continuous thermal activity detected ie fan, central heating ducts, animals within detection area:

Remove heat source. Check proper function of PD3-1C by covering the fresnel-lens. After expiry of delay timer, PD3-1C has to turn OFF lighting.

PD3-1C connected in parallel to a manual override switch:

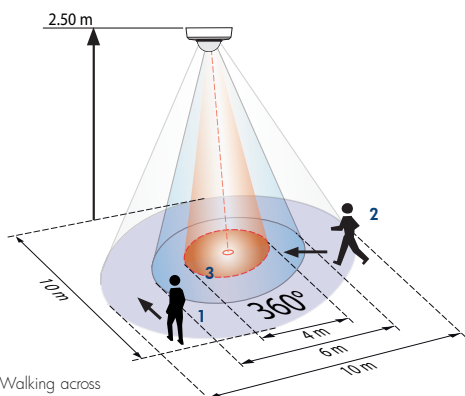
Connect switch correctly

4. Unintended switching of light

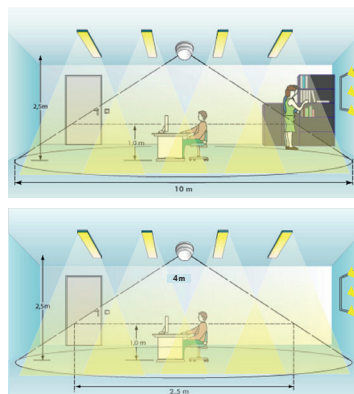
Movement of heat source within detection area:

Check on presence of animals, fans or heaters

6. Range of Coverage



- 1 Walking across
- 2 Walking towards
- 3 Smaller movements

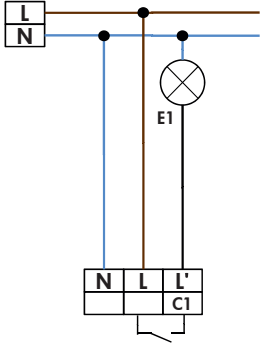


7. Article / Part nr.

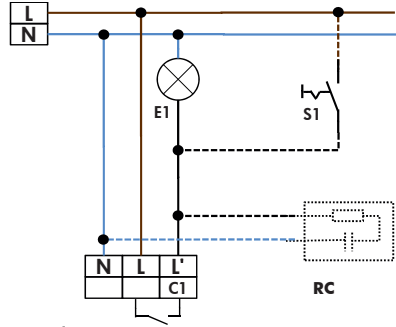
Type	SM	FC
PD3-1C	92194	92197

8. Wiring diagrams

Standard mode with 1-channel motion detector

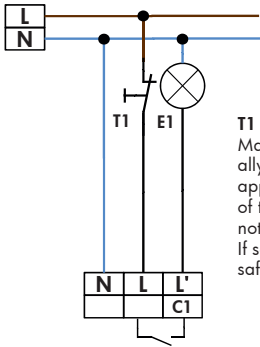


Standard mode with 1-channel motion detector with permanent light function



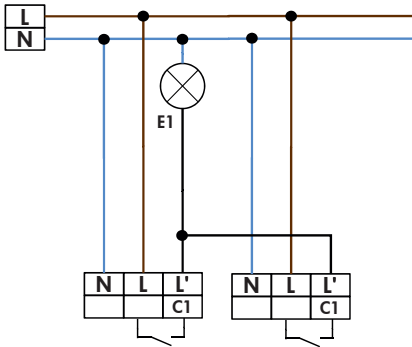
optional:
S1 = switch for permanent light
RC = RC-suppression kit if required

Standard mode with 1-channel motion detector with NC pushbutton

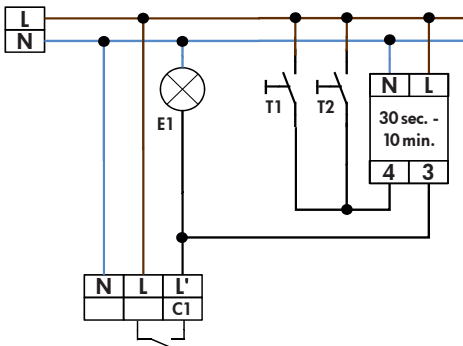


T1 = NC button
Manual switching additionally possible (press opener approx. 2 sec.). The position of the potentiometers should not be on "test" or "sun". If so, the pre-set time and safety values get lost

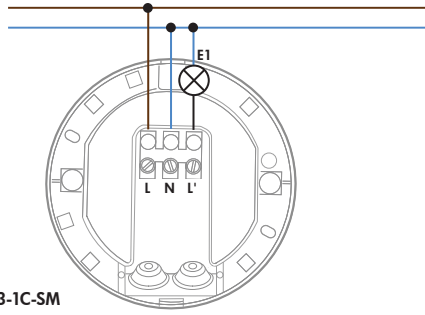
Parallel connection with 1-channel motion detectors



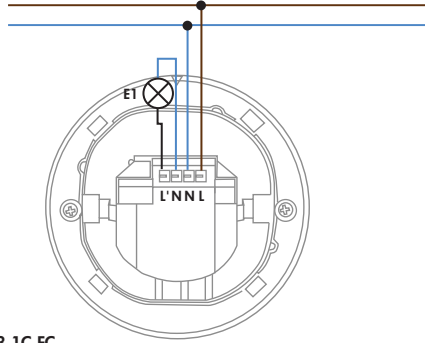
Standard mode with 1-channel motion detector (e.g. stairs)



9. PD3-1C - Connections



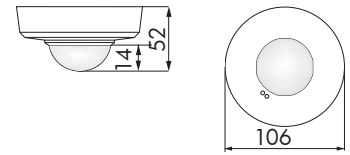
PD3-1C-SM



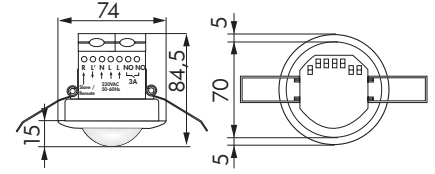
PD3-1C-FC

10. PD3-1C - Dimensions

PD3-1C-SM



PD3-1C-FC



11. Installation examples

