

B.E.G.

Feel comfortable in your building



LAMELLA

PD5N-LAMELLA-BMS2 DALI-2

New design favourite for lamella ceilings and luminaires

- DALI-2 multisensor (input device) for installation in lamella ceilings or luminaires
- DALI-2 certified product
- Parameterisation is possible via mandatory Multimaster-Application-Controller of any manufacturer. This controller must support IEC 62386 parts 101/103/301/303/304.
- Mixed light measurement with internal and external light sensor
- Individual set up of the PIR sensor sensitivity
- Bright LED indication to aid commissioning



Nearly invisible PIR sensor PD5N-BMS-Lamella

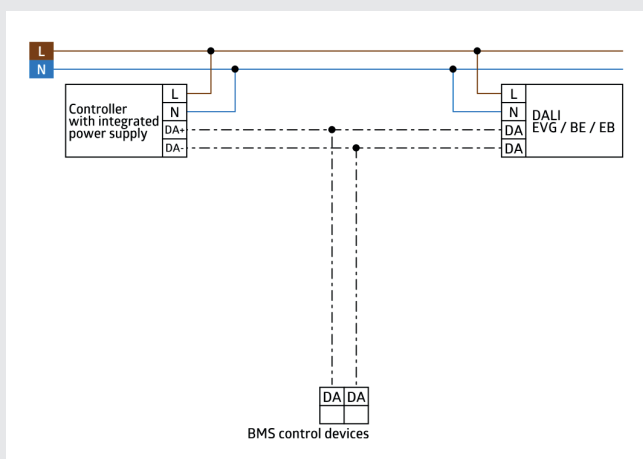
Optimum lighting conditions for working, atmospheric lighting scenes, presence-dependent blind and lighting control, attractive design – with the new PD5N-Lamella, comfort moves into companies. Integrated in lamella ceilings or luminaires, the rectangular, flat sensor is hardly noticeable.

With the PD5N-Lamella, B.E.G. is launching another DALI-2 certified device. It was developed for SAPP® ceiling lamella ceilings. Installation there is child's play because the unit is pre-wired, can be plugged directly and clicked into place. For dark slat ceilings, a sensor with a black housing (art. no. 93358) is available in addition to the white PD5N-Lamella (art. no. 93354). The B.E.G. PD5N-Lamella is the first device of the BMS generation 2, which is characterised by exemplary low power consumption.

Colours



Wiring diagram



Products

Description	Colour	Part no.
PD5N-LAMELLA-BMS2 DALI-2 WB	white	93354
PD5N-LAMELLA-BMS2 DALI-2 BB	black	93358



Technical data

- Voltage: via DALI Bus, max. 22.5 V DC
- Dimensions: 55 x 20 x 44 mm
- Settings: via DALI Bus and application which supports DALI multisensors according to IEC62386. parts 101, 103, 301, 303 and 304
- Typ. power input: 4.5 mA
- Start-up time: 200 ms
- Detection area: horizontal 360° (Ceiling mounting)
- Range: max. Ø 10 m across
max. Ø 6 m towards
max. Ø 4 m seated
- Monitored area (tangential movement): 78 m² / 2.5 m mounting height
- Mounting height min./max./recommended: 2 m / 5 m / 2.5 m
- Degree / class of protection: IP20 / Class II
- Measured light output: 0 - 4095 Lux, Mixed light measuring
- Ambient temperature: -25°C to +50°C
- Housing: polycarbonate, UV-resistant
- Cable length: 30 cm
- Connections and wires: plug WAGO 890-1112

Dimensions and mounting

