

B.E.G.**LUXOMAT®**

PD9-M-1C-FC

Prod.No. 92900 EAN: 4007529929009

- Voltage: 110 - 240 V AC 50 / 60 Hz
- Dimensions: Sensor head: Ø 45 x 28 mm,
Power supply: 165 x 24 x 24 mm
- Power consumption: approx. 0.5 W

Areas of application

- entrance halls
- small offices
- corridors/hallways

Order data

Designation	Colour	Art.No
PD9-M-1C-FC	white	92900

Accessories

Designation	Colour	Art.No
BLE-IR-Adapter	black	93067
IR-PD-1C	-	92520
IR-PD-1C-E	-	92077
IR-PD-Mini	-	92159
RC-Arc extinction kit	white	10880
Mini-RC-Arc extinction kit		10882
Cover IP65 for Sensor head PD9	transparent	92958
Cover ring PD9 Ø 36 mm	anthracite	92235
Cover ring PD9 Ø 36 mm	white	92238
Cover ring PD9 Ø 36 mm	silver	92237
Cover ring PD9 Ø 45 mm	white	92327
Cover ring PD9 Ø 45 mm	silver	92346
Square design frame PD9-FC	pure white	92993

Technical data

Voltage:	110 – 240 V AC 50 / 60 Hz
Dimensions:	Sensor head: Ø 45 x 28 mm, Power supply: 165 x 24 x 24 mm
Power consumption:	approx. 0.5 W
Detection area:	horizontal 360° (Ceiling mounting) max. Ø 10 m across max. Ø 6 m towards max. Ø 4 m seated
Range:	
Monitored area (tangential movement):	78 m ² / 2.5 m mounting height
Mounting height min./max./recommended:	2 m / 5 m / 2.5 m
Degree / class of protection:	IP20 / Class II
Impact strength:	IK03
Ambient temperature:	-25 °C to +50 °C
Housing:	polycarbonate, UV-resistant
Material color:	white mat, similar to RAL9010
Cable length:	45 cm, screened

Channel 1 (lighting control)

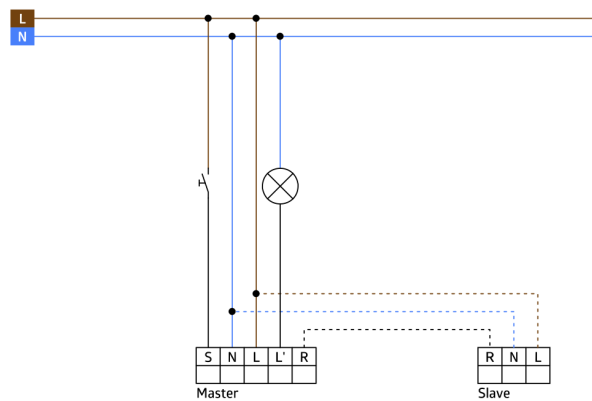
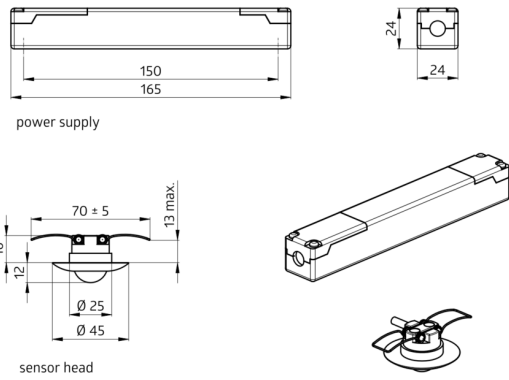
Switching power:	2300 W, cos φ = 1 1150 VA, cos φ = 0.5 800 W LED max. inrush current I_p (20 ms) = 165 A max. inrush current I_p (200 μ s) = 800 A
Type of contact (k):	1x μ -contact, NO contact with tungsten pre- make contact
Follow-up time:	5 min – 30 min, Pulse
Switch-on threshold:	20 – 1000 Lux
Light measuring:	Mixed light measuring

Product information

Mini-occupancy detector
One channel for light switching
Version as master device
Detection area can be extended by using slave devices
Easy operation with remote control (required)
Manual switching via push-button possible
Power supply passes through the hole in the ceiling for the detector (34 mm Ø)
Spring clips for quick and easy installation in suspended ceilings and light fittings
Includes 45 mm cover ring and blinds
Factory settings 10 min and 500 lux

Application examples:

entrance halls, small offices, corridors/hallways



Accessories



BLE-IR-Adapter
Art.No: 93067

Dimensions: 40 x 55 x 103 mm
Material color: black
Frequency: 2.4 GHz ISM band, GFSK 0.2 dBm + 5.3 dBi = 5.5 dBm



IR-PD-Mini
Art.No: 92159

Battery: 3.0 V Lithium CR2032 (inclusive)
Dimensions: 57 x 35 x 7 mm
Material color: -



Cover IP65 for Sensor head PD9
Art.No: 92958

Degree / class of protection: IP65
Housing: UV-resistant
Material color: transparent



IR-PD-1C
Art.No: 92520

Battery: 3.0 V Lithium CR2032 (inclusive)
Dimensions: 80 x 60 x 8 mm
Material color: -



RC-Arc extinction kit
Art.No: 10880

Voltage: 230 V AC $\pm 10\%$
Dimensions: 38 x 12 x 26 mm
Degree / class of protection: IP20 / Class II



Cover ring PD9 Ø 36 mm
Art.No: 92235

Dimensions: Ø 36 mm
Housing: polycarbonate, UV-resistant
Material color: anthracite glossy



IR-PD-1C-E
Art.No: 92077

Battery: 3.0 V Lithium CR2032 (inclusive)
Dimensions: 80 x 60 x 8 mm
Material color: -



Mini-RC-Arc extinction kit
Art.No: 10882

Voltage: 230 V AC $\pm 10\%$
Dimensions: 50 x 23 x 8 mm
Degree / class of protection: IP20 / Class II



Cover ring PD9 Ø 36 mm
Art.No: 92238

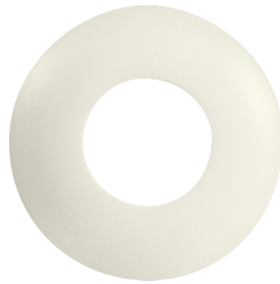
Dimensions: Ø 36 mm
Housing: polycarbonate, UV-resistant
Material color: white glossy



Cover ring PD9 Ø 36 mm

Art.No: 92237

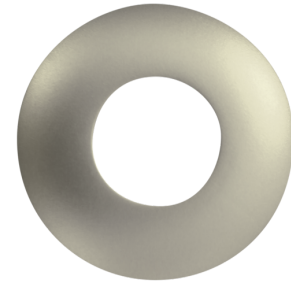
Dimensions: Ø 36 mm
Housing: polycarbonate, UV-resistant
Material color: silver glossy



Cover ring PD9 Ø 45 mm

Art.No: 92327

Dimensions: Ø 45 mm
Material color: white mat



Cover ring PD9 Ø 45 mm

Art.No: 92346

Dimensions: Ø 45 mm
Material color: silver mat



Square design frame PD9-FC

Art.No: 92993

Dimensions: 45 x 45 x 2.6 mm
Housing: polycarbonate, UV-resistant
Material color: pure white mat, similar to RAL9010