

B.E.G.**LUXOMAT®**

PD4N-S

Prod.No. 93241 EAN: 4007529932412

Slave PIR motion detector with 360° coverage and a range of up to Ø24m (450 m²)

Order data

Designation	Colour	Art.No
PD4N-S	white	93241

Accessories

Designation	Colour	Art.No
Wire basket BSK (Ø 200 x 90 mm)	white	92199
SM socle mounting set IP65 PD4N	white	93314
SM socle mounting set IP54 PD4N H	anthracite	93786
SM socle mounting set IP54 PD4N H	white	93465
SM socle mounting set IP54 PD4N H	black	93788
SM socle mounting set IP54 PD4N H	traffic white	93787
lens PD4N, Cover ring	anthracite	93731
lens PD4N, Cover ring	black	93733
lens PD4N, Cover ring	traffic white	93732
Corridor lens PD4N type A	white	93073
Wall holder PD2N/4N Typ A	traffic white	93702
Wall holder PD2N/4N Typ A	anthracite	93701

Wall holder PD2N/4N Typ A	white	93700
Wall holder PD2N/4N Typ A	black	93703
Wall holder PD2N/4N Typ A	white	93164

Technical data

Voltage:	110 - 240 V AC 50 / 60 Hz
Dimensions:	Ø 106 x 92 mm
Power consumption:	approx. 0.2 W
Detection area:	horizontal 360° (Ceiling mounting) max. Ø 24 m across
Range:	max. Ø 8 m towards max. Ø 6.4 m seated
Monitored area (tangential movement):	450 m ² / 2.5 m mounting height
Mounting height min./max./recommended:	2 m / 10 m / 2.5 m
Degree / class of protection:	IP20 / Class II
Impact strength:	IK04
Ambient temperature:	-25 °C to +50 °C
Housing:	polycarbonate, UV-resistant
Material color:	white mat
Pulse interval:	2 or 9 sec

Product information

Slave device detector with extended detection area

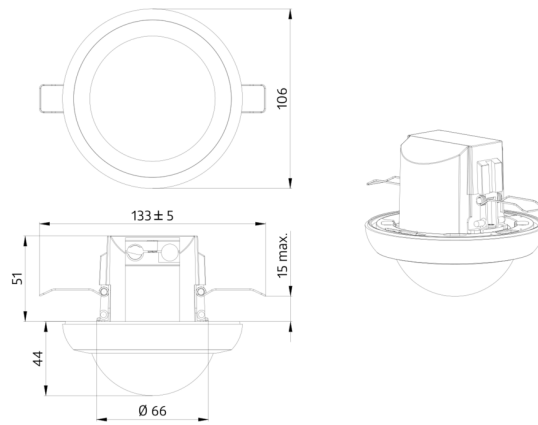
For extending the detection area of a Master device

Trigger pulse to master device upon detected movement independent of the ambient light level

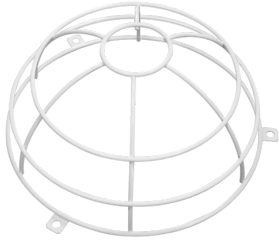
Compatible with 230 V devices. Concerning exceptions please see the respective master device.

Application examples:

open-plan offices, conference rooms, classrooms/seminar rooms, staircases, small offices, sports halls/ storage rooms



Accessories



Wire basket BSK (Ø 200 x 90 mm)
Art.No: 92199

Dimensions: Ø 200 x 90 mm
Impact strength: IK09
Housing: coated steel basket



SM socle mounting set IP65 PD4N
Art.No: 93314

Dimensions: 133 x 133 x 69 mm
Degree / class of protection: IP65
Material color: white



SM socle mounting set IP54 PD4N H
Art.No: 93786

Dimensions: Ø 110 x 45 mm
Degree / class of protection: IP54
Material color: anthracite, similar to RAL7016



SM socle mounting set IP54 PD4N H
Art.No: 93465

Dimensions: Ø 110 x 45 mm
Degree / class of protection: IP54
Material color: white, similar to RAL9010



SM socle mounting set IP54 PD4N H
Art.No: 93788

Dimensions: Ø 110 x 45 mm
Degree / class of protection: IP54
Material color: black, similar to RAL9005



SM socle mounting set IP54 PD4N H
Art.No: 93787

Dimensions: Ø 110 x 45 mm
Degree / class of protection: IP54
Material color: traffic white, similar to RAL9016



lens PD4N, Cover ring
Art.No: 93731

Detection area: horizontal 360°
(Ceiling mounting)
Range: max. Ø 24 m
across
max. Ø 8 m
towards
max. Ø 6.4 m
seated
Monitored area (tangential
movement): 450 m² / 2.5 m mounting
height



lens PD4N, Cover ring
Art.No: 93733

Detection area: horizontal 360°
(Ceiling mounting)
Range: max. Ø 24 m
across
max. Ø 8 m
towards
max. Ø 6.4 m
seated
Monitored area (tangential
movement): 450 m² / 2.5 m
mounting height



lens PD4N, Cover ring
Art.No: 93732

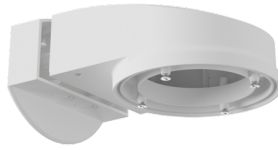
Detection area: horizontal 360°
(Ceiling mounting)
Range: max. Ø 24 m
across
max. Ø 8 m
towards
max. Ø 6.4 m
seated
Monitored area (tangential
movement): 450 m² / 2.5 m
mounting height



Corridor lens PD4N type A

Art.No: 93073

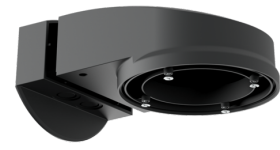
Detection area: horizontal 360° (Ceiling mounting)
Range: max. Ø 40 m across
max. Ø 20 m towards
Monitored area (tangential movement): 250 m² / 2.5 m mounting height



Wall holder PD2N/4N Typ A

Art.No: 93702

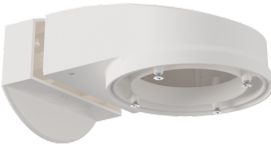
Dimensions: 133 x 106 x 66 mm
Degree / class of protection: IP54 / Class II
Housing: polycarbonate, UV-resistant



Wall holder PD2N/4N Typ A

Art.No: 93701

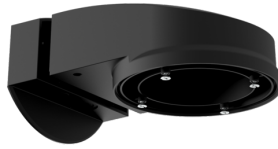
Dimensions: 133 x 106 x 66 mm
Degree / class of protection: IP54 / Class II
Housing: polycarbonate, UV-resistant



Wall holder PD2N/4N Typ A

Art.No: 93700

Dimensions: 133 x 106 x 66 mm
Degree / class of protection: IP54 / Class II
Housing: polycarbonate, UV-resistant



Wall holder PD2N/4N Typ A

Art.No: 93703

Dimensions: 133 x 106 x 66 mm
Degree / class of protection: IP54 / Class II
Housing: polycarbonate, UV-resistant



Wall holder PD2N/4N Typ A

Art.No: 93164

Dimensions: 133 x 106 x 66 mm
Degree / class of protection: IP54 / Class II
Housing: polycarbonate, UV-resistant