

**B.E.G.****LUXOMAT®**

## PD4N-M-DACO-DUO DALI-2

Prod.No. 93461 EAN: 4007529934614

DALI-2 PIR motion detector with integrated DALI application controller, 360° detection, and a range of up to Ø24m (450 m<sup>2</sup>), 2 DALI channels

### Areas of application

- entrance halls
- corridors/hallways
- small offices
- open-plan offices
- conference rooms
- classrooms/seminar rooms
- sports halls/ storage rooms

### Order data

Designation	Colour	Art.No
PD4N-M-DACO-DUO DALI-2	white	93461

### Accessories

Designation	Colour	Art.No
BLE-IR-Adapter	black	93067
IR-Adapter for Smartphones	black	92726
IR-PD-DALI	-	92094
IR-PD-DALI-LD	-	92652
IR-PD-DALI-E	-	92122
IR-PD-DALI-Mini	-	92112
SM socle mounting set IP54 PD4N H	anthracite	93786
SM socle mounting set IP54 PD4N H	white	93465
SM socle mounting set IP54 PD4N H	black	93788
SM socle mounting set IP54 PD4N H	traffic white	93787
SM socle mounting set IP65 PD4N	white	93314
Corridor lens PD4N type A	white	93073

Corridor lens PD4N type A, Cover ring	traffic white	93742
Corridor lens PD4N type A, Cover ring	anthracite	93741
Corridor lens PD4N type A, Cover ring	black	93743
lens PD4N, Cover ring	anthracite	93731
lens PD4N, Cover ring	black	93733
lens PD4N, Cover ring	traffic white	93732
Wire basket BSK (Ø 200 x 90 mm)	white	92199
Wall holder PD2N/4N Typ A	traffic white	93702
Wall holder PD2N/4N Typ A	anthracite	93701
Wall holder PD2N/4N Typ A	white	93700
Wall holder PD2N/4N Typ A	black	93703
Wall holder PD2N/4N Typ A	white	93164

## Technical data

Voltage:	230 V AC ±10% 50 Hz
Dimensions:	Ø 106 x 95 mm
Power consumption:	approx. 3 W
Slave devices:	up to 4
Detection area:	horizontal 360° (Ceiling mounting) max. Ø 24 m across max. Ø 8 m towards max. Ø 6.4 m seated
Range:	
Monitored area (tangential movement):	450 m <sup>2</sup> / 2.5 m mounting height
Mounting height min./max./recommended:	2 m / 10 m / 2.5 m
Degree / class of protection:	IP20 / Class II
Impact strength:	IK04
Ambient temperature:	-25 °C to +50 °C
Housing:	polycarbonate, UV-resistant
Material color:	white mat, similar to RAL9010

### Channel 1 and Channel 2 (lighting control)

DALI output:	40 mA (guaranteed), 60 mA (max.), Shut-down mechanism
Supported control gear:	DT0, DT5, DT6, DT7
Supported control devices:	- (single master)
Follow-up time:	1 min – 150 min 5 – 100 % / OFF
Orientation light:	/ 5 min – 60 min / ∞
Brightness set value:	10 – 2500 Lux
Light measuring:	Mixed light measuring

## Product information

Occupancy detector with integrated DALI application controller for energy-efficient lighting control
2 channels
DALI-2 certified product
Integrated DALI power supply
DALI interface for controlling digital, dimmable ECGs in broadcast mode
Manual switching or dimming via conventional pushbuttons
Bidirectional IR communication enables fast integration into the project management function of the B.E.G. One app
Complete range of functions can only be activated using the BLE-IR-Adapter and a compatible Smartphone or Tablet (Android, iOS).
Semi-automatic, full automatic, presence-independent or light-independent mode adjustable
Adjustable regulation dynamics (minimum and maximum values)
Adjustable speed and delay of the regulation
Single master version, not networkable
Detection area can be extended by using slave devices
Mixed light measurement with internal and external light sensor
DALI output power can be increased with accessories
Integrated daylight harvesting circuit (or switch output)
Adjustable switch-on value
Last value - Reminder function for switch-on value
Adjustable brightness set value and reflection factor
Indication of the current light sensor value in the B.E.G. One App
Self-check and display of device errors in the B.E.G. One App
Status LEDs can be activated / deactivated
PIN code
Corridor function - Deactivates the possibility to switch off the light via the push-button
Number of DALI participants can be determined quickly and reliably via the B.E.G. Online DALI Line Planner
Software is backwards compatible with the first generation (except DSI, double lock and corridor function)

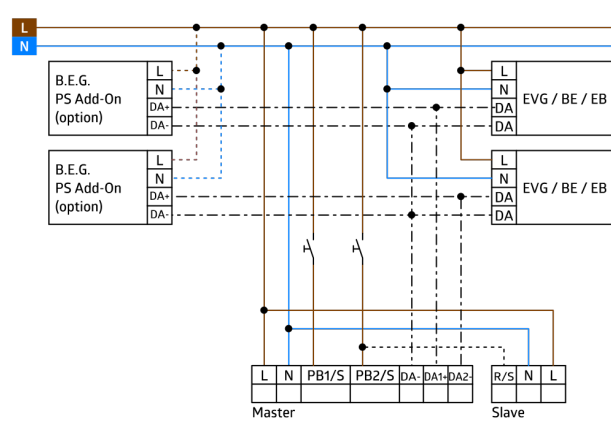
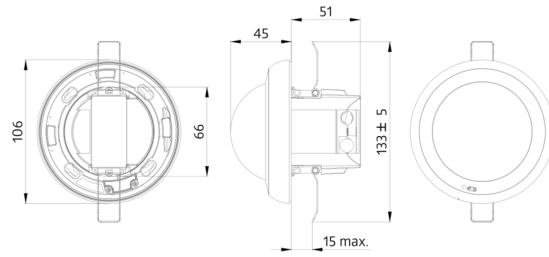
Factory setting 10 min follow-up time and 500 lux brightness set value

Including pre-assembled spring clamp with strain relief and contact protection cap for recessed ceiling mounting

Accessory for surface mounting available

**Application examples:**

entrance halls, corridors/hallways, small offices, open-plan offices, conference rooms, classrooms/seminar rooms, sports halls/ storage rooms



## Accessories



**BLE-IR-Adapter**  
Art.No: 93067

Dimensions: 40 x 55 x 103 mm  
Material color: black  
Frequency: 2.4 GHz ISM band, GFSK  
0.2 dBm + 5.3 dBi = 5.5 dBm



**IR-Adapter for Smartphones**  
Art.No: 92726

Dimensions: 47 x 19 x 10 mm  
Degree / class of protection: IP20  
Ambient temperature: -20 °C to +40 °C



**IR-PD-DALI**  
Art.No: 92094

Battery: 3.0 V Lithium CR2032 (inclusive)  
Dimensions: 80 x 60 x 8 mm  
Material color: -



**IR-PD-DALI-LD**  
Art.No: 92652

Battery: 3 x 1.5 V Micro AAA (not included)  
Dimensions: 83 x 53 x 17 mm  
Material color: -



**IR-PD-DALI-E**  
Art.No: 92122

Battery: 3.0 V Lithium CR2032 (inclusive)  
Dimensions: 80 x 60 x 8 mm  
Material color: -



**IR-PD-DALI-Mini**  
Art.No: 92112

Battery: 3.0 V Lithium CR2032 (inclusive)  
Dimensions: 57 x 35 x 7 mm  
Material color: -



**SM socle mounting set IP54 PD4N H**  
Art.No: 93786

Dimensions: Ø 110 x 45 mm  
Degree / class of protection: IP54  
Material color: anthracite, similar to RAL7016



**SM socle mounting set IP54 PD4N H**  
Art.No: 93465

Dimensions: Ø 110 x 45 mm  
Degree / class of protection: IP54  
Material color: white, similar to RAL9010



**SM socle mounting set IP54 PD4N H**  
Art.No: 93788

Dimensions: Ø 110 x 45 mm  
Degree / class of protection: IP54  
Material color: black, similar to RAL9005



**SM socle mounting set IP54 PD4N H**  
Art.No: 93787

Dimensions: Ø 110 x 45 mm  
Degree / class of protection: IP54  
Material color: traffic white, similar to RAL9016



**SM socle mounting set IP65 PD4N**  
Art.No: 93314

Dimensions: 133 x 133 x 69 mm  
Degree / class of protection: IP65  
Material color: white



**Corridor lens PD4N type A**  
Art.No: 93073

Detection area: horizontal 360° (Ceiling mounting)  
Range: max. &Oslash; 40 m across<br>max. &Oslash; 20 m towards  
Monitored area (tangential movement): 250 m<sup>2</sup> / 2.5 m mounting height



**Corridor lens PD4N type A, Cover ring**  
Art.No: 93742

Detection area: horizontal 360° (Ceiling mounting)  
Range: max. &Oslash; 40 m across<br>max. &Oslash; 20 m towards  
Monitored area (tangential movement): 250 m<sup>2</sup> / 2.5 m mounting height



**Corridor lens PD4N type A, Cover ring**  
Art.No: 93741

Detection area: horizontal 360° (Ceiling mounting)  
Range: max. &Oslash; 40 m across<br>max. &Oslash; 20 m towards  
Monitored area (tangential movement): 250 m<sup>2</sup> / 2.5 m mounting height



**Corridor lens PD4N type A, Cover ring**  
Art.No: 93743

Detection area: horizontal 360° (Ceiling mounting)  
Range: max. &Oslash; 40 m across<br>max. &Oslash; 20 m towards  
Monitored area (tangential movement): 250 m<sup>2</sup> / 2.5 m mounting height



**lens PD4N, Cover ring**  
Art.No: 93731

Detection area: horizontal 360° (Ceiling mounting)  
Range: max. &Oslash; 24 m across<br>max. &Oslash; 8 m towards<br>max. &Oslash; 6.4 m seated  
Monitored area (tangential movement): 450 m<sup>2</sup> / 2.5 m mounting height



**lens PD4N, Cover ring**  
Art.No: 93733

Detection area: horizontal 360° (Ceiling mounting)  
Range: max. &Oslash; 24 m across<br>max. &Oslash; 8 m towards<br>max. &Oslash; 6.4 m seated  
Monitored area (tangential movement): 450 m<sup>2</sup> / 2.5 m mounting height



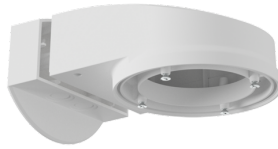
**lens PD4N, Cover ring**  
Art.No: 93732

Detection area: horizontal 360° (Ceiling mounting)  
Range: max. &Oslash; 24 m across<br>max. &Oslash; 8 m towards<br>max. &Oslash; 6.4 m seated  
Monitored area (tangential movement): 450 m<sup>2</sup> / 2.5 m mounting height



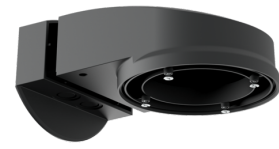
**Wire basket BSK (Ø 200 x 90 mm)**  
Art.No: 92199

Dimensions: Ø 200 x 90 mm  
Impact strength: IK09  
Housing: coated steel basket



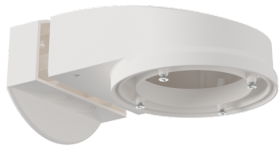
**Wall holder PD2N/4N Typ A**  
Art.No: 93702

Dimensions: 133 x 106 x 66 mm  
Degree / class of protection: IP54 /  
Class II  
Housing: polycarbonate, UV-resistant



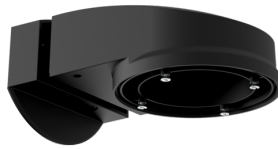
**Wall holder PD2N/4N Typ A**  
Art.No: 93701

Dimensions: 133 x 106 x 66 mm  
Degree / class of protection: IP54 / Class  
II  
Housing: polycarbonate, UV-resistant



**Wall holder PD2N/4N Typ A**  
Art.No: 93700

Dimensions: 133 x 106 x 66 mm  
Degree / class of protection: IP54 / Class  
II  
Housing: polycarbonate, UV-resistant



**Wall holder PD2N/4N Typ A**  
Art.No: 93703

Dimensions: 133 x 106 x 66 mm  
Degree / class of protection: IP54 /  
Class II  
Housing: polycarbonate, UV-resistant



**Wall holder PD2N/4N Typ A**  
Art.No: 93164

Dimensions: 133 x 106 x 66 mm  
Degree / class of protection: IP54 /  
Housing: polycarbonate, UV-resistant