

**B.E.G.****LUXOMAT®**

## PD4N-M-DACO DALI-2

Prod.No. 93460 EAN: 4007529934607

DALI-2 PIR motion detector with integrated DALI application controller, 360° detection, and a range of up to Ø24m (450 m<sup>2</sup>)

### Areas of application

- entrance halls
- corridors/hallways
- small offices
- open-plan offices
- conference rooms
- classrooms/seminar rooms
- sports halls/ storage rooms

### Order data

| Designation        | Colour | Art.No |
|--------------------|--------|--------|
| PD4N-M-DACO DALI-2 | white  | 93460  |

### Accessories

| Designation                       | Colour        | Art.No |
|-----------------------------------|---------------|--------|
| BLE-IR-Adapter                    | black         | 93067  |
| IR-Adapter for Smartphones        | black         | 92726  |
| IR-PD-DALI                        | -             | 92094  |
| IR-PD-DALI-LD                     | -             | 92652  |
| IR-PD-DALI-E                      | -             | 92122  |
| IR-PD-DALI-Mini                   | -             | 92112  |
| SM socle mounting set IP54 PD4N H | anthracite    | 93786  |
| SM socle mounting set IP54 PD4N H | white         | 93465  |
| SM socle mounting set IP54 PD4N H | black         | 93788  |
| SM socle mounting set IP54 PD4N H | traffic white | 93787  |
| SM socle mounting set IP65 PD4N   | white         | 93314  |

|                                       |               |       |
|---------------------------------------|---------------|-------|
| Corridor lens PD4N type A, Cover ring | traffic white | 93742 |
| Corridor lens PD4N type A, Cover ring | anthracite    | 93741 |
| Corridor lens PD4N type A, Cover ring | black         | 93743 |
| Corridor lens PD4N type A             | white         | 93073 |
| lens PD4N, Cover ring                 | anthracite    | 93731 |
| lens PD4N, Cover ring                 | black         | 93733 |
| lens PD4N, Cover ring                 | traffic white | 93732 |
| Wire basket BSK (Ø 200 x 90 mm)       | white         | 92199 |
| Wall holder PD2N/4N Typ A             | traffic white | 93702 |
| Wall holder PD2N/4N Typ A             | anthracite    | 93701 |
| Wall holder PD2N/4N Typ A             | white         | 93700 |
| Wall holder PD2N/4N Typ A             | black         | 93703 |
| Wall holder PD2N/4N Typ A             | white         | 93164 |

## Technical data

|   |  |
|---|--|
| Voltage:                                  | 230 V AC $\pm$ 10%<br>50 Hz  |
| Dimensions:                               | Ø 106 x 95 mm  |
| Power consumption:                        | approx. 2 W  |
| Slave devices:                            | up to 8  |
| Detection area:                           | horizontal 360°<br>(Ceiling<br>mounting)<br>max. Ø 24 m<br>across<br>max. Ø 8 m<br>towards<br>max. Ø 6.4 m<br>seated |
| Range:                                    |  |
| Monitored area (tangential<br>movement):  | 450 m <sup>2</sup> / 2.5 m<br>mounting<br>height   |
| Mounting height<br>min./max./recommended: | 2 m / 10 m / 2.5<br>m  |
| Degree / class of<br>protection:          | IP20 / Class II  |
| Impact strength:                          | IK04   |
| Ambient temperature:                      | -25 °C to +50<br>°C  |
| Housing:                                  | polycarbonate,<br>UV-resistant   |
| Material color:                           | white mat,<br>similar to<br>RAL9010  |

### Channel 1 (lighting control)

|                            |  |
|----------------------------|--|
| DALI output:               | 80 mA<br>(guaranteed),<br>125 mA (max.),<br>Shut-down<br>mechanism   |
| Supported control gear:    | DT0, DT5, DT6,<br>DT7  |
| Supported control devices: | - (single<br>master)   |
| Follow-up time:            | 1 min – 150 min<br>10 – 30 % / OFF<br>/ 5 min – 60<br>min / $\infty$ |
| Orientation light:         |  |
| Brightness set value:      | 10 – 2500 Lux  |
| Light measuring:           | Mixed light<br>measuring   |

## Product information

|  |
|--|
| Occupancy detector with integrated DALI application<br>controller for energy-efficient lighting control                                |
| DALI-2 certified product   |
| Integrated DALI power supply   |
| DALI interface for controlling digital, dimmable ECGs in<br>broadcast mode   |
| Manual switching or dimming via conventional pushbuttons   |
| Bidirectional IR communication enables fast integration into<br>the project management function of the B.E.G. One app                  |
| Complete range of functions can only be activated using the<br>BLE-IR-Adapter and a compatible Smartphone or Tablet<br>(Android, iOS). |
| Semi-automatic, full automatic, presence-independent or<br>light-independent mode adjustable   |
| Adjustable regulation dynamics (minimum and maximum<br>values)   |
| Adjustable speed and delay of the regulation   |
| Single master version, not networkable   |
| Detection area can be extended by using slave devices  |
| Mixed light measurement with internal and external light<br>sensor   |
| DALI output power can be increased with accessories  |
| Integrated daylight harvesting circuit (or switch output)  |
| Adjustable switch-on value   |
| Last value - Reminder function for switch-on value   |
| Adjustable brightness set value and reflection factor  |
| Indication of the current light sensor value in the B.E.G. One<br>App  |
| Self-check and display of device errors in the B.E.G. One App  |
| Status LEDs can be activated / deactivated   |
| PIN code   |
| Corridor function - Deactivates the possibility to switch off the<br>light via the push-button   |
| Number of DALI participants can be determined quickly and<br>reliably via the B.E.G. Online DALI Line Planner                          |
| Software is backwards compatible with the first generation<br>(except DSI, double lock and corridor function)                          |
| Factory setting 10 min follow-up time and 500 lux brightness<br>set value  |

Including pre-assembled spring clamp with strain relief and contact protection cap for recessed ceiling mounting

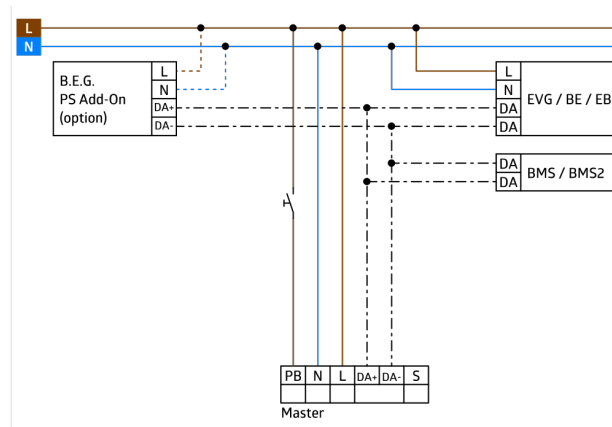
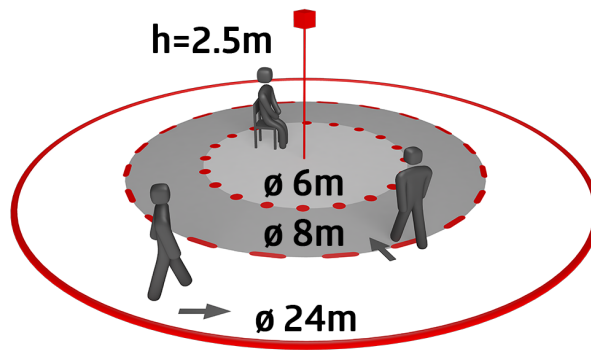
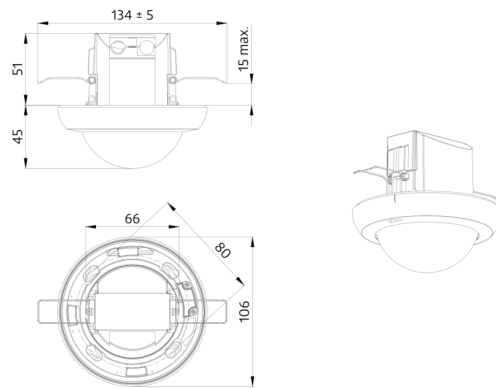
Accessory for surface mounting available

Accessories for wall mounting optionally available

Further accessories for colour matching optionally available

**Application examples:**

entrance halls, corridors/hallways, small offices, open-plan offices, conference rooms, classrooms/seminar rooms, sports halls/ storage rooms



## Accessories



**BLE-IR-Adapter**  
Art.No: 93067

Dimensions: 40 x 55 x 103 mm  
Material color: black  
Frequency: 2.4 GHz ISM band, GFSK  
0.2 dBm + 5.3 dBi = 5.5 dBm



**IR-Adapter for Smartphones**  
Art.No: 92726

Dimensions: 47 x 19 x 10 mm  
Degree / class of protection: IP20  
Ambient temperature: -20 °C to +40 °C



**IR-PD-DALI**  
Art.No: 92094

Battery: 3.0 V Lithium CR2032 (inclusive)  
Dimensions: 80 x 60 x 8 mm  
Material color: -



**IR-PD-DALI-LD**  
Art.No: 92652

Battery: 3 x 1.5 V Micro AAA (not included)  
Dimensions: 83 x 53 x 17 mm  
Material color: -



**IR-PD-DALI-E**  
Art.No: 92122

Battery: 3.0 V Lithium CR2032 (inclusive)  
Dimensions: 80 x 60 x 8 mm  
Material color: -



**IR-PD-DALI-Mini**  
Art.No: 92112

Battery: 3.0 V Lithium CR2032 (inclusive)  
Dimensions: 57 x 35 x 7 mm  
Material color: -



**SM socle mounting set IP54 PD4N H**  
Art.No: 93786

Dimensions: Ø 110 x 45 mm  
Degree / class of protection: IP54  
Material color: anthracite, similar to RAL7016



**SM socle mounting set IP54 PD4N H**  
Art.No: 93465

Dimensions: Ø 110 x 45 mm  
Degree / class of protection: IP54  
Material color: white, similar to RAL9010



**SM socle mounting set IP54 PD4N H**  
Art.No: 93788

Dimensions: Ø 110 x 45 mm  
Degree / class of protection: IP54  
Material color: black, similar to RAL9005



**SM socle mounting set IP54 PD4N H**  
Art.No: 93787

Dimensions: Ø 110 x 45 mm  
Degree / class of protection: IP54  
Material color: traffic white, similar to RAL9016



**SM socle mounting set IP65 PD4N**  
Art.No: 93314

Dimensions: 133 x 133 x 69 mm  
Degree / class of protection: IP65  
Material color: white



**Corridor lens PD4N type A, Cover ring**  
Art.No: 93742

Detection area: horizontal 360° (Ceiling mounting)  
Range: max. &Oslash; 40 m across<br>max. &Oslash; 20 m towards  
Monitored area (tangential movement): 250 m² / 2.5 m mounting height



**Corridor lens PD4N type A, Cover ring**  
Art.No: 93741

Detection area: horizontal 360° (Ceiling mounting)  
Range: max. &Oslash; 40 m across<br>max. &Oslash; 20 m towards  
Monitored area (tangential movement): 250 m² / 2.5 m mounting height



**Corridor lens PD4N type A, Cover ring**  
Art.No: 93743

Detection area: horizontal 360° (Ceiling mounting)  
Range: max. &Oslash; 40 m across<br>max. &Oslash; 20 m towards  
Monitored area (tangential movement): 250 m² / 2.5 m mounting height



**Corridor lens PD4N type A**  
Art.No: 93073

Detection area: horizontal 360° (Ceiling mounting)  
Range: max. &Oslash; 40 m across<br>max. &Oslash; 20 m towards  
Monitored area (tangential movement): 250 m² / 2.5 m mounting height



**lens PD4N, Cover ring**  
Art.No: 93731

Detection area: horizontal 360° (Ceiling mounting)  
Range: max. &Oslash; 24 m across<br>max. &Oslash; 8 m towards<br>max. &Oslash; 6.4 m seated  
Monitored area (tangential movement): 450 m² / 2.5 m mounting height



**lens PD4N, Cover ring**  
Art.No: 93733

Detection area: horizontal 360° (Ceiling mounting)  
Range: max. &Oslash; 24 m across<br>max. &Oslash; 8 m towards<br>max. &Oslash; 6.4 m seated  
Monitored area (tangential movement): 450 m² / 2.5 m mounting height



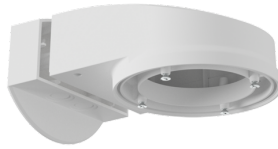
**lens PD4N, Cover ring**  
Art.No: 93732

Detection area: horizontal 360° (Ceiling mounting)  
Range: max. &Oslash; 24 m across<br>max. &Oslash; 8 m towards<br>max. &Oslash; 6.4 m seated  
Monitored area (tangential movement): 450 m² / 2.5 m mounting height



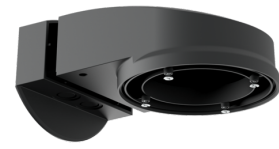
**Wire basket BSK (Ø 200 x 90 mm)**  
Art.No: 92199

Dimensions: Ø 200 x 90 mm  
Impact strength: IK09  
Housing: coated steel basket



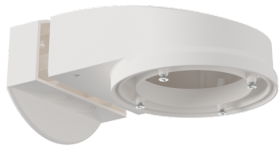
**Wall holder PD2N/4N Typ A**  
Art.No: 93702

Dimensions: 133 x 106 x 66 mm  
Degree / class of protection: IP54 /  
Class II  
Housing: polycarbonate, UV-resistant



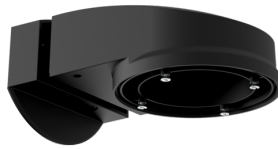
**Wall holder PD2N/4N Typ A**  
Art.No: 93701

Dimensions: 133 x 106 x 66 mm  
Degree / class of protection: IP54 / Class  
II  
Housing: polycarbonate, UV-resistant



**Wall holder PD2N/4N Typ A**  
Art.No: 93700

Dimensions: 133 x 106 x 66 mm  
Degree / class of protection: IP54 / Class  
II  
Housing: polycarbonate, UV-resistant



**Wall holder PD2N/4N Typ A**  
Art.No: 93703

Dimensions: 133 x 106 x 66 mm  
Degree / class of protection: IP54 /  
Class II  
Housing: polycarbonate, UV-resistant



**Wall holder PD2N/4N Typ A**  
Art.No: 93164

Dimensions: 133 x 106 x 66 mm  
Degree / class of protection: IP54 /  
Housing: polycarbonate, UV-resistant