

**B.E.G.****LUXOMAT<sup>®</sup>net**

## PD4N-LON-FC

Prod.No. 92831 EAN: 4007529928316

- Voltage: 24 V AC / DC +/- 20%
- Dimensions: Ø 98 x 63 mm
- Typ. power input: 12 mA at 24 V DC  
20 mA at 24 V AC

### Order data

| Designation | Colour | Art.No |
|-------------|--------|--------|
| PD4N-LON-FC |        | 92831  |

### Accessories

| Designation                     | Colour     | Art.No |
|---------------------------------|------------|--------|
| BLE-IR-Adapter                  | black      | 93067  |
| IR-PD-LON                       |            | 92835  |
| Wire basket BSK (Ø 200 x 90 mm) | white      | 92199  |
| Square design frame PD4-FC      | pure white | 92992  |

## Technical data

|   |  |
|---|--|
| Voltage:                                  | 24 V AC / DC<br>+/- 20%  |
| Dimensions:                               | Ø 98 x 63 mm   |
| Typ. power input:                         | 12 mA at 24 V<br>DC<br>20 mA at 24 V<br>AC   |
| Power consumption:                        | < 0.5 W  |
| Detection area:                           | horizontal 360°<br>(Ceiling<br>mounting)<br>max. Ø 24 m<br>across<br>max. Ø 8 m<br>towards<br>max. Ø 6.4 m<br>seated |
| Range:                                    |  |
| Monitored area (tangential<br>movement):  | 450 m <sup>2</sup> / 2.5 m<br>mounting<br>height   |
| Mounting height<br>min./max./recommended: | 2 m / 10 m / 2.5<br>m  |
| Degree / class of<br>protection:          | IP20 / Class II  |
| Impact strength:                          | IK04   |
| Ambient temperature:                      | +5 °C to +50<br>°C   |
| Housing:                                  | polycarbonate,<br>UV-resistant<br>white mat,<br>similar to<br>RAL9010  |
| Material color:                           |  |
| Brightness set value:                     | 0 – 2000 Lux   |
| Light measuring:                          | Mixed light<br>measuring   |

## Product information

LON occupancy detector with integrated light sensor for  
daylight-dependent lighting regulation

The following device functions are provided as bus variables:

- 1 x Light sensor
- 2 x Occupancy sensor
- 2 x Occupancy & Light controller
- 2 x Occupancy controller
- 2 x Sunblind Switch
- 1 x SCC Command Module
- 3 x push button function
- 1 x Scene Panel

Full-automatic or Semi-automatic operation mode

Switching or Constant Light control modes

Easy interface to HVAC systems

FT5000 LON transceiver

All configuration properties changeable via network variables

Remote control (optional)

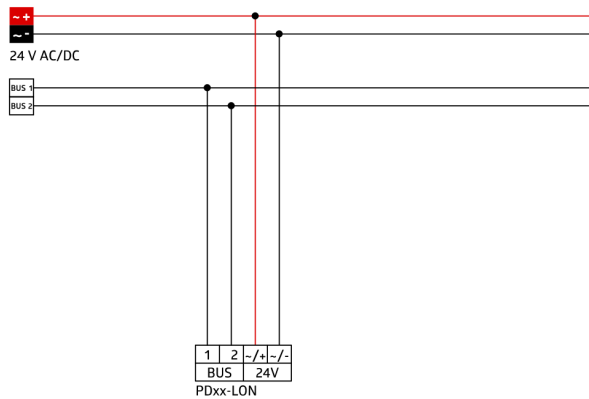
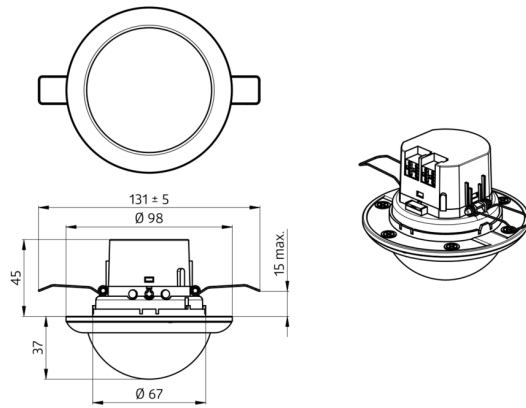
Settings with the LON installation tool

Adjustable on and off delay for orientation light when no  
people are present

The products are supported up to and including Windows 7

### Application examples:

staircases, small offices, open-plan offices, conference rooms,  
classrooms/seminar rooms, sports halls/ storage rooms



## Accessories



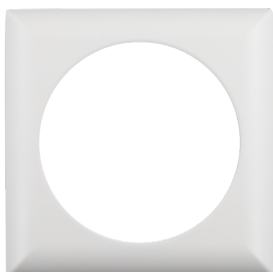
### BLE-IR-Adapter

Art.No: 93067

Dimensions: 40 x 55 x 103 mm

Material color: black

Frequency: 2.4 GHz ISM band, GFSK 0.2 dBm  
+ 5.3 dBi = 5.5 dBm



### Square design frame PD4-FC

Art.No: 92992

Dimensions: 101 x 101 x 11.8 mm

Housing: polycarbonate, UV-resistant

Material color: pure white mat, similar to  
RAL9010



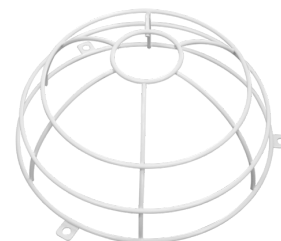
### IR-PD-LON

Art.No: 92835

Battery: 3.0 V Lithium CR2032  
(inclusive)

Dimensions: 80 x 60 x 8 mm

Material color: -



### Wire basket BSK (Ø 200 x 90 mm)

Art.No: 92199

Dimensions: Ø 200 x 90 mm

Impact strength: IK09

Housing: coated steel basket