

**B.E.G.****LUXOMAT<sup>®</sup>net**

## PD4N-DALI-SYS Set 93340-93753-93743

- Voltage: via DALI Bus, max. 22.5 V DC
- Dimensions: **Ø 106 x 68 mm + Ø 109 x 19 mm (93753)**
- Settings: B.E.G. DALI-SYS ROUTER / B.E.G. DALI-SYS PC-Tools

### Order data

Designation	Colour	Art.No
PD4N-DALI-SYS	white	93340
SM socle mounting set IP54 PD2N- / PD4N-FM	black	93753
Corridor lens PD4N type A, Cover ring	black	93743

## Technical data

Voltage:	via DALI Bus, max. 22.5 V DC
Dimensions:	<b>Ø 106 x 68 mm + Ø 109 x 19 mm (93753)</b>
Settings:	B.E.G. DALI-SYS ROUTER / B.E.G. DALI-SYS PC- Tools
Typ. power input:	7 mA
Detection area:	<b>horizontal 360° (Ceiling mounting) (93743)</b> <b>max. Ø 40 m across max. Ø 20 m towards (93743)</b>
Range:	<b>250 m<sup>2</sup> / 2.5 m mounting height (93743)</b>
Monitored area (tangential movement):	
Mounting height min./max./recommended:	<b>2.4 m / 2.6 m / 2.5 m (93743)</b>
Degree / class of protection:	<b>IP20 / Class II + IP54 (93753)</b>
Impact strength:	IK04
Ambient temperature:	-25 °C to +55 °C
Housing:	polycarbonate, UV-resistant <b>black mat, similar to RAL9005 (93743)</b>
Material color:	
Follow-up time:	1 sec - 120 min
Orientation light:	5 - 100 % / 1 min - 120 min / ∞
Brightness set value:	10 - 2500 Lux
Light measuring:	Mixed light measuring

## Product information

Set : PD4N-DALI-SYS + SM socle mounting set IP54  
PD2N- / PD4N-FM black mat, similar to RAL9005 +  
Corridor lens PD4N type A, Cover ring black mat,  
similar to RAL9005

Wide motion detection range DALI multisensor

Powered via DALI bus

Seamless integration in B.E.G. LUXOMAT®net DALI-SYS

Bright LED indication for commissioning

Detection area can be extended thanks to master-slave-mode

Mixed light measurement with internal and external light sensor

Semi-automatic, full-automatic or twilight switch mode

Integrated daylight harvesting circuit (or switch output)

Guided Light, Soft-Start PLUS, Orientation light PLUS

Works out-of-the box for easy installation check

Full range of functions can only be activated with other products of the product group B.E.G. LUXOMAT®net DALI-SYS

Suitable for mounting in false ceilings and flush-mounting

Accessory for surface mounting available

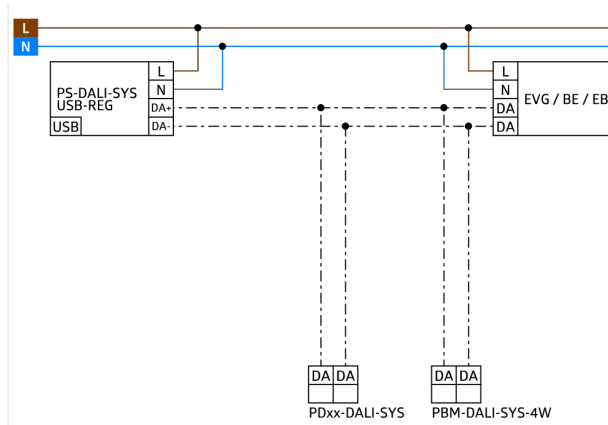
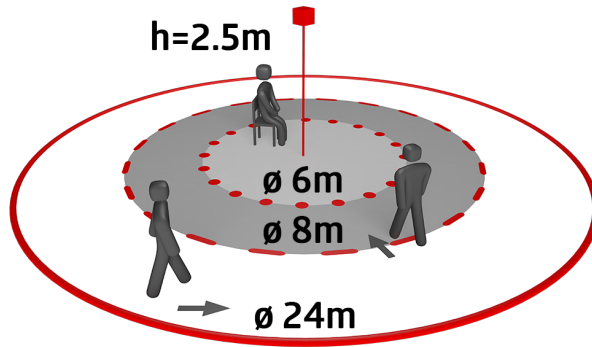
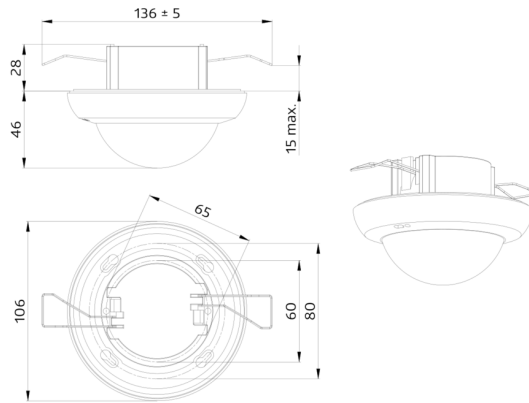
This article is a component of a lighting control system from B.E.G., which supports the use of DALI control gear (luminaires, relays) from other manufacturers

The use of DALI application controllers from other manufacturers is not supported

The use of DALI input devices (sensors, push-buttons) from other manufacturers is not supported

Additional system components (hardware) from B.E.G. are required

Additional services (planning, commissioning and maintenance) from B.E.G. are required



## Set items

To receive the bundle according to the technical specification, please order the items listed.



### PD4N-DALI-SYS

Art.No: 93340

Voltage: via DALI Bus, max. 22.5 V DC  
Dimensions: Ø 106 x 68 mm  
Settings: B.E.G. DALI-SYS ROUTER /  
B.E.G. DALI-SYS PC-Tools



### SM socle mounting set IP54 PD2N- / PD4N-FM

Art.No: 93753

Dimensions: Ø 109 x 19 mm  
Degree / class of protection: IP54  
Housing: polycarbonate, UV-  
resistant



### Corridor lens PD4N type A, Cover ring

Art.No: 93743

Detection area: horizontal 360° (Ceiling  
mounting)  
Range: max. Ø 40 m across  
max. Ø 20 m towards  
Monitored area (tangential movement):  
250 m<sup>2</sup> / 2.5 m mounting height