

B.E.G.

LUXOMAT®



PD4-S-DAA4G-SM Set 92759-92467

- Voltage: 22 V DC via DALI Bus
- Dimensions: **Ø 164 x 143 mm (92467)**
- Detection area: horizontal 360° (Ceiling mounting)

Order data

Designation	Colour	Art.No
PD4-S-DAA4G-SM	white	92759
Wire basket BSK (Ø 164 x 143 mm)	white	92467

Technical data

Voltage:	22 V DC via DALI Bus
Dimensions:	Ø 164 x 143 mm (92467)
Detection area:	horizontal 360° (Ceiling mounting) max. Ø 24 m across max. Ø 8 m towards seated
Range:	max. Ø 6.4 m seated
Monitored area (tangential movement):	450 m ² / 2.5 m mounting height
Mounting height min./max./recommended:	2 m / 10 m / 2.5 m
Degree / class of protection:	IP54 / Class II
Impact strength:	IK09 (92467)
Ambient temperature:	-25 °C to +50 °C
Housing:	polycarbonate, UV-resistant + coated steel basket (92467)
Material color:	white mat, similar to RAL9010
up to 4 slave devices in combination with one PD4-M-DAA4G	
Pulse interval:	30 sec (in test mode 2 sec during 3 min)

Product information

Set : PD4-S-DAA4G-SM + Wire basket BSK (Ø 164 x 143 mm) white

DALI bus operated slave device

For extension of the detection area of a master device PD4-M-DAA4G / PD4-M-HCL

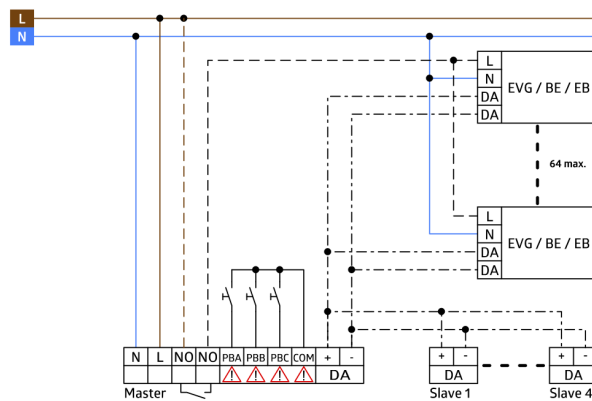
Trigger pulse to master device upon detected movement independent of the ambient light level

Automatic test mode via master device

Plug & Play - no parameterisation required

Easy to mount

False ceiling or surface mount version available



Set items

To receive the bundle according to the technical specification, please order the items listed.



PD4-S-DAA4G-SM

Art.No: 92759

Voltage: 22 V DC via DALI Bus

Dimensions: Ø 103 x 76 mm

Detection area: horizontal 360° (Ceiling mounting)



Wire basket BSK (Ø 164 x 143 mm)

Art.No: 92467

Dimensions: Ø 164 x 143 mm

Impact strength: IK09

Housing: coated steel basket