

**B.E.G.****LUXOMAT®**

## PD4-M-TRIO-DALI/DSI-SM

Prod.No. 92750 EAN: 4007529927500

Two independent, movable light sensors

One common detection area

Switching between DALI and DSI possible with remote control

### Areas of application

- open-plan offices
- conference rooms
- classrooms/seminar rooms

### Order data

Designation	Colour	Art.No
PD4-M-TRIO-DALI/DSI-SM	white	92750

### Accessories

Designation	Colour	Art.No
BLE-IR-Adapter	black	93067
IR-PD4-TRIO-DALI	-	92104
Wire basket BSK (Ø 200 x 90 mm)	white	92199
Wire basket BSK (Ø 164 x 143 mm)	white	92467
Socket IP54 PD4-TRIO-SM	white	92386

## Technical data

Voltage:	110 - 240 V AC 50 / 60 Hz
Dimensions:	Ø 124 x 85 mm
Power consumption:	approx. 2.2 W
Detection area:	horizontal 360° (Ceiling mounting) max. Ø 24 m across
Range:	max. Ø 8 m towards max. Ø 6.4 m seated
Monitored area (tangential movement):	450 m <sup>2</sup> / 2.5 m mounting height
Mounting height min./max./recommended:	2 m / 10 m / 2.5 m
Degree / class of protection:	IP20 / Class II
Impact strength:	IK04
Ambient temperature:	-25 °C to +50 °C
Housing:	polycarbonate, UV-resistant
Material color:	white mat, similar to RAL9010

### Channel 1 and Channel 2 (lighting control)

DALI output:	up to 25 DALI / DSI-EB per channel
Orientation light:	10 - 30 % / OFF / 1 min - 60 min / ∞

### Channel 3 (lighting control)

Switching power:	up to 10 DALI / DSI-EB
------------------	---------------------------

### Channel 1 to channel 3

Follow-up time:	1 min - 60 min
Brightness set value:	40 - 1200 Lux
Light measuring:	Mixed light measuring

## Product information

Occupancy detector for two lighting groups for daylight-dependent lighting regulation and a third lighting group for light switching

Control of up to 25 digital dimming electronic ballasts and control modules as a group per DALI output 1 and 2, and up to 10 for DALI output 3

Two independent, movable light sensors

One common detection area

Switching between DALI and DSI possible with remote control

Version as master device

Detection area can be extended by using slave devices

Manual switching and dimming via push button possible

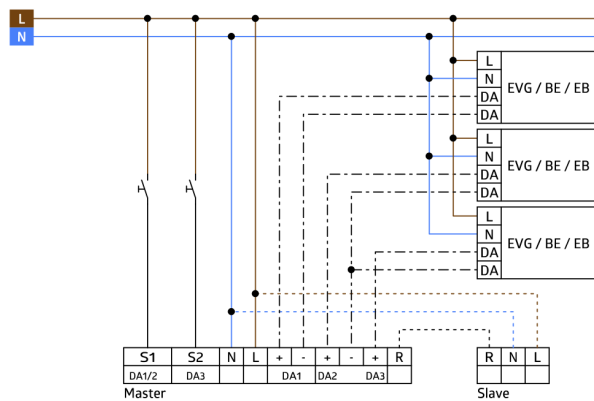
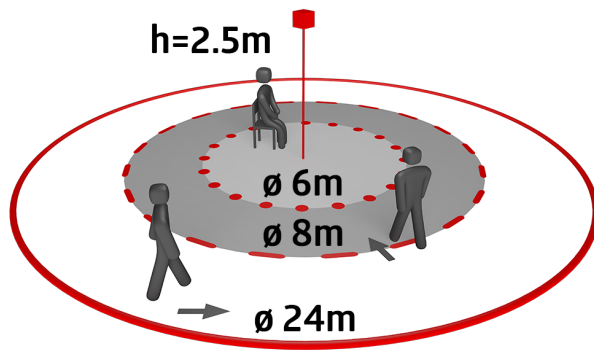
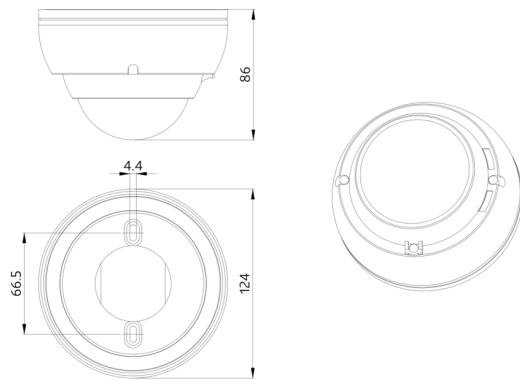
Additional functions can be set up using the optional remote control.

Orientation light function

Semi-automatic, full-automatic or twilight switch mode

### Application examples:

open-plan offices, conference rooms, classrooms/seminar rooms



## Accessories



### BLE-IR-Adapter

Art.No: 93067

Dimensions: 40 x 55 x 103 mm

Material color: black

Frequency: 2.4 GHz ISM band, GFSK 0.2 dBm + 5.3 dBi = 5.5 dBm



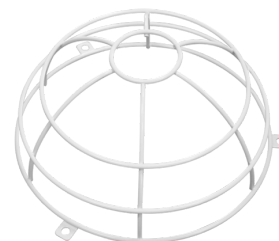
### IR-PD4-TRIO-DALI

Art.No: 92104

Battery: 3.0 V Lithium CR2032 (inclusive)

Dimensions: 80 x 60 x 8 mm

Material color: -



### Wire basket BSK (Ø 200 x 90 mm)

Art.No: 92199

Dimensions: Ø 200 x 90 mm

Impact strength: IK09

Housing: coated steel basket



### Wire basket BSK (Ø 164 x 143 mm)

Art.No: 92467

Dimensions: Ø 164 x 143 mm

Impact strength: IK09

Housing: coated steel basket



### Socket IP54 PD4-TRIO-SM

Art.No: 92386

Degree / class of protection: IP54

Housing: polycarbonate, UV-resistant

Material color: white