

B.E.G.

LUXOMAT®



PD4-M- TRIO-2DALI/DSI-1C-SM Set 92751-92199

Occupancy detector for two separate lighting groups, for daylight-dependent lighting control

One potential-free switching channel for control of equipment (HVAC) or lighting

Two independent, movable light sensors

Order data

Designation	Colour	Art.No
PD4-M-TRIO-2DALI/DSI-1C-SM	white	92751
Wire basket BSK (Ø 200 x 90 mm)	white	92199

Areas of application

- open-plan offices
- conference rooms
- classrooms/seminar rooms

Technical data

Voltage:	110 - 240 V AC 50 / 60 Hz
Dimensions:	Ø 200 x 90 mm (92199)
Power consumption:	approx. 2 W
Detection area:	horizontal 360° (Ceiling mounting) max. Ø 24 m across max. Ø 8 m towards max. Ø 6.4 m seated
Range:	
Monitored area (tangential movement):	450 m ² / 2.5 m mounting height
Mounting height min./max./recommended:	2 m / 10 m / 2.5 m
Degree / class of protection:	IP20 / Class II
Impact strength:	IK09 (92199)
Ambient temperature:	-25 °C to +50 °C
Housing:	polycarbonate, UV-resistant + coated steel basket (92199) white mat, similar to RAL9010
Material color:	

Channel 1 and Channel 2 (lighting control)

DALI output:	up to 25 DALI / DSI-EB per channel
Orientation light:	10 - 30 % / OFF / 1 min - 60 min / ∞

Channel 3 (HVAC control or lighting control, potential-free (dry))

Switching power:	3000 W, $\cos \varphi = 1$ 1500 VA, $\cos \varphi = 0.5$ 800 W LED max. inrush current I_p (20ms) = 165 A, (200 μ s) = 800 A
Type of contact:	1x μ -contact, dry NO contact with tungsten pre- make contact

Channel 1 to channel 3

Follow-up time:	1 min - 60 min
Brightness set value:	10 - 2000 Lux
Light measuring:	Mixed light measuring

Product information

Set : PD4-M-TRIO-2DALI/DSI-1C-SM + Wire basket
BSK (Ø 200 x 90 mm) white

Occupancy detector for two separate lighting groups, for
daylight-dependent lighting control

One potential-free switching channel for control of equipment
(HVAC) or lighting

Two independent, movable light sensors

One common detection area

2 DALI/DSI interfaces for control of digital dimmable electronic
ballasts as a group

Switching between DALI and DSI possible with remote control

Orientation light function

Relay with tungsten pre-make contact, optimised for LED
loads

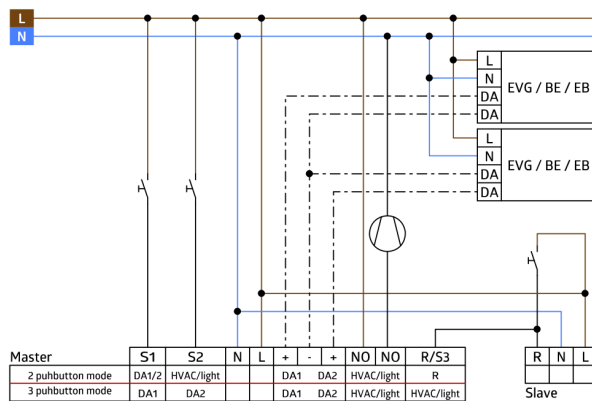
Version as master device

Detection area can be extended by using slave devices

Manual switching and dimming via push button possible

Semi-automatic, full-automatic or twilight switch mode

Additional functions can be set up using the optional remote
control.



Set items

To receive the bundle according to the technical specification, please order the items listed.



PD4-M-TRIO-2DALI/DSI-1C-SM
Art.No: 92751

Voltage: 110 – 240 V AC 50 / 60 Hz
Dimensions: Ø 124 x 85 mm
Power consumption: approx. 2 W



Wire basket BSK (Ø 200 x 90 mm)
Art.No: 92199

Dimensions: Ø 200 x 90 mm
Impact strength: IK09
Housing: coated steel basket