

**B.E.G.****LUXOMAT®**

## PD4-M-HCL2-FC DALI-2 Set 93484-92467

DALI-2 HCL PIR motion detector with integrated DALI application controller, 360° detection, and a range of up to Ø24m (450 m<sup>2</sup>), Multimaster, with switching relay

### Order data

Designation	Colour	Art.No
PD4-M-HCL2-FC DALI-2	white	93484
Wire basket BSK (Ø 164 x 143 mm)	white	92467

## Technical data

Voltage:	230 V AC $\pm$ 10% 50 Hz
Dimensions:	<b>Ø 164 x 143 mm (92467)</b>
Power consumption:	approx. 2 W
Detection area:	horizontal 360° (Ceiling mounting) max. Ø 24 m across max. Ø 8 m towards max. Ø 6.4 m seated
Range:	
Monitored area (tangential movement):	450 m <sup>2</sup> / 2.5 m mounting height
Mounting height min./max./recommended:	2 m / 10 m / 2.5 m
Degree / class of protection:	IP20 / Class II
Impact strength:	<b>IK09 (92467)</b>
Ambient temperature:	-25 °C to +50 °C
Housing:	<b>polycarbonate, UV-resistant + coated steel basket (92467)</b>
Material color:	white, similar to RAL9010

### DALI Control

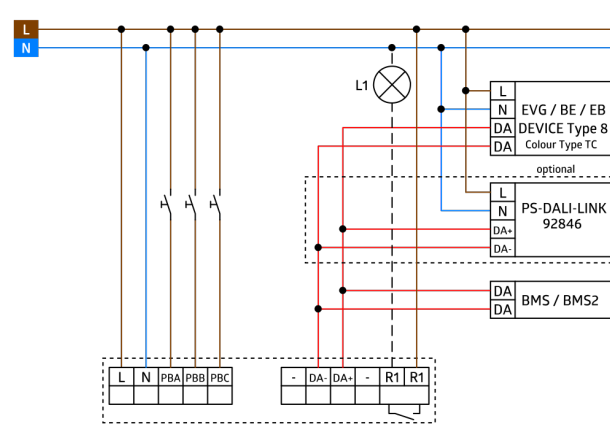
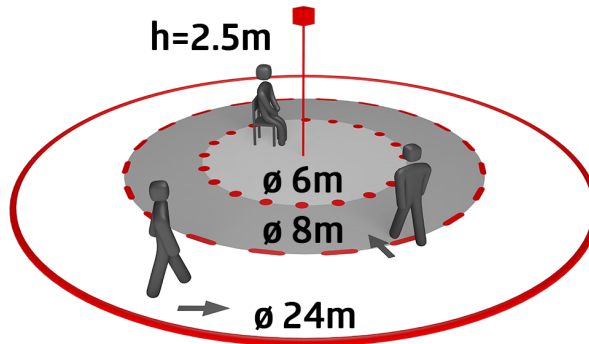
DALI output:	100 mA (guaranteed), 120 mA (max.)
Supported control gear:	DT5, DT6, DT7, DT8-Tc (HCL only possible with DT8-Tc, 2700 - 6500 K)
Supported control devices:	B.E.G. BMS (motion detection)
Follow-up time:	1 min - 150 min
Orientation light:	5 - 100 % / OFF / 1 min - 255 min / $\infty$
Brightness set value:	10 - 2500 Lux

### Relay (dry NO)

Switching power:	2300 W, $\cos \varphi =$ 1 1150 VA, $\cos \varphi$ = 0.5 800 W LED max. inrush current $I_p$ (20 ms) = 165 A, $I_p$ (200 $\mu$ s) = 800 A
Type of contact:	1x $\mu$ -contact, NO contact
Follow-up time:	5 sec - 120 min (HVAC)

## Product information

Set : PD4-M-HCL2-FC DALI-2 + Wire basket BSK (Ø  
164 x 143 mm) white



## Set items

To receive the bundle according to the technical specification, please order the items listed.



**PD4-M-HCL2-FC DALI-2**  
Art.No: 93484

Voltage: 230 V AC  $\pm 10\%$  50 Hz  
Dimensions:  $\varnothing 117 \times 100$  mm  
Power consumption: approx. 2 W



**Wire basket BSK ( $\varnothing 164 \times 143$  mm)**  
Art.No: 92467

Dimensions:  $\varnothing 164 \times 143$  mm  
Impact strength: IK09  
Housing: coated steel basket