

B.E.G.**LUXOMAT®**

PD4-M-HCL2-FC DALI-2 Set 93484-92199

DALI-2 HCL PIR motion detector with integrated DALI application controller, 360° detection, and a range of up to Ø24m (450 m²), Multimaster, with switching relay

Order data

| Designation | Colour | Art.No |
|---------------------------------|--------|--------|
| PD4-M-HCL2-FC DALI-2 | white | 93484 |
| Wire basket BSK (Ø 200 x 90 mm) | white | 92199 |

Technical data

| | |
|---|--|
| Voltage: | 230 V AC \pm 10% 50 Hz |
| Dimensions: | Ø 200 x 90 mm (92199) |
| Power consumption: | approx. 2 W |
| Detection area: | horizontal 360° (Ceiling mounting) max. Ø 24 m across max. Ø 8 m towards max. Ø 6.4 m seated |
| Range: | |
| Monitored area (tangential movement): | 450 m ² / 2.5 m mounting height |
| Mounting height min./max./recommended: | 2 m / 10 m / 2.5 m |
| Degree / class of protection: | IP20 / Class II |
| Impact strength: | IK09 (92199) |
| Ambient temperature: | -25 °C to +50 °C |
| Housing: | polycarbonate, UV-resistant + coated steel basket (92199) |
| Material color: | white, similar to RAL9010 |

DALI Control

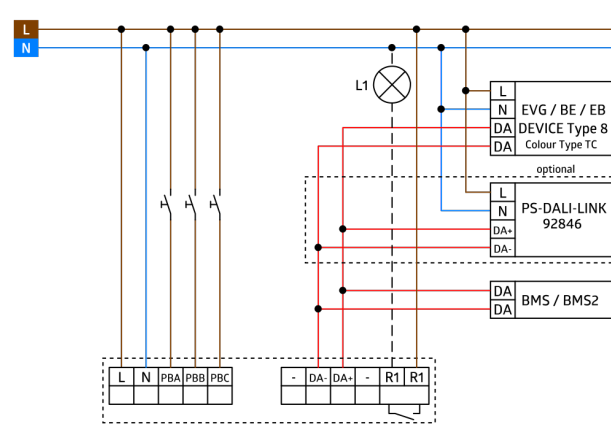
| | |
|-------------------------------|--|
| DALI output: | 100 mA (guaranteed), 120 mA (max.) |
| Supported control gear: | DT5, DT6, DT7, DT8-Tc (HCL only possible with DT8-Tc, 2700 - 6500 K) |
| Supported control devices: | B.E.G. BMS (motion detection) |
| Follow-up time: | 1 min - 150 min |
| Orientation light: | 5 - 100 % / OFF / 1 min - 255 min / ∞ |
| Brightness set value: | 10 - 2500 Lux |

Relay (dry NO)

| | |
|------------------|---|
| Switching power: | 2300 W, $\cos \varphi =$ 1 1150 VA, $\cos \varphi$ = 0.5 800 W LED max. inrush current I_p (20 ms) = 165 A, I_p (200 μ s) = 800 A |
| Type of contact: | 1x μ -contact, NO contact |
| Follow-up time: | 5 sec - 120 min (HVAC) |

Product information

Set : PD4-M-HCL2-FC DALI-2 + Wire basket BSK (Ø
200 x 90 mm) white



Set items

To receive the bundle according to the technical specification, please order the items listed.



PD4-M-HCL2-FC DALI-2
Art.No: 93484

Voltage: 230 V AC $\pm 10\%$ 50 Hz
Dimensions: $\varnothing 117 \times 100$ mm
Power consumption: approx. 2 W



Wire basket BSK ($\varnothing 200 \times 90$ mm)
Art.No: 92199

Dimensions: $\varnothing 200 \times 90$ mm
Impact strength: IK09
Housing: coated steel basket