

B.E.G.**LUXOMAT®**

PD4-M-DUO-DALI/DSI-FC

Prod.No. 92276 EAN: 4007529922765

Occupancy detector for two separate lighting groups, for daylight-dependent lighting control

One common detection area

Two independent, movable light sensors

Areas of application

- open-plan offices
- conference rooms
- classrooms/seminar rooms
- small offices
- sports halls/ storage rooms

Order data

Designation	Colour	Art.No
PD4-M-DUO-DALI/DSI-FC	white	92276

Accessories

Designation	Colour	Art.No
IR-PD-DALI-LD	-	92652
BLE-IR-Adapter	black	93067
IR-PD-DALI	-	92094
IR-PD-DALI-E	-	92122
IR-PD-DALI-Mini	-	92112
Wire basket BSK (Ø 200 x 90 mm)	white	92199

Technical data

Voltage:	110 - 240 V AC 50 / 60 Hz
Dimensions:	Ø 97 x 103 mm
Power consumption:	approx. 1 W
Detection area:	horizontal 360° (Ceiling mounting) max. Ø 24 m across
Range:	max. Ø 8 m towards max. Ø 6.4 m seated
Monitored area (tangential movement):	450 m ² / 2.5 m mounting height
Mounting height min./max./recommended:	2 m / 10 m / 2.5 m
Degree / class of protection:	IP20 / Class II
Impact strength:	IK04
Ambient temperature:	-25 °C to +50 °C
Housing:	polycarbonate, UV-resistant
Material color:	white mat, similar to RAL9010

Channel 1 and Channel 2 (lighting control)

DALI output:	up to 25 DALI / DSI-EB per channel
Follow-up time:	1 min - 30 min
Orientation light:	20 % / 5 s - 60 min / ∞
Brightness set value:	10 - 2000 Lux
Light measuring:	Mixed light measuring

Product information

Occupancy detector for two separate lighting groups, for daylight-dependent lighting control

One common detection area

Two independent, movable light sensors

2 DALI/DSI interfaces for control of digital dimmable electronic ballasts as a group

Switching between DALI and DSI programming possible with DIP switch and remote control

Version as master device

Detection area can be extended by using slave devices

Additional functions can be set up using the optional remote control.

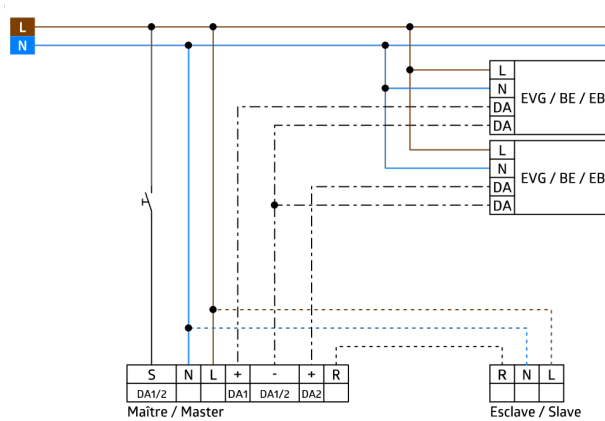
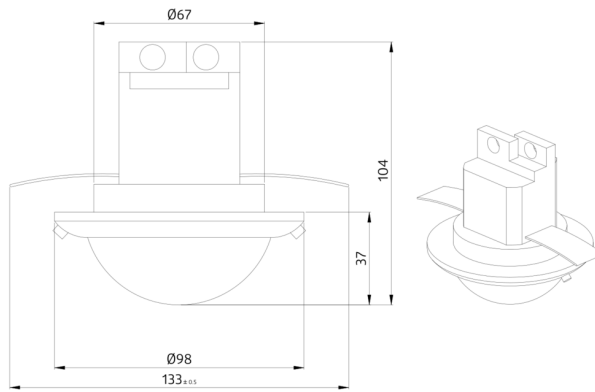
Manual switching and dimming via push button possible

Orientation light function

Semi-automatic, full-automatic or twilight switch mode

Application examples:

open-plan offices, conference rooms, classrooms/seminar rooms, small offices, sports halls/ storage rooms



Accessories



IR-PD-DALI-LD
Art.No: 92652

Battery: 3 x 1.5 V Micro AAA (not included)
Dimensions: 83 x 53 x 17 mm
Material color: -



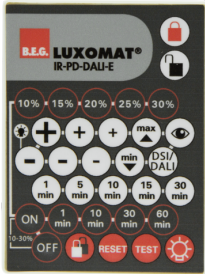
BLE-IR-Adapter
Art.No: 93067

Dimensions: 40 x 55 x 103 mm
Material color: black
Frequency: 2.4 GHz ISM band, GFSK
0.2 dBm + 5.3 dBi = 5.5 dBm



IR-PD-DALI
Art.No: 92094

Battery: 3.0 V Lithium CR2032 (inclusive)
Dimensions: 80 x 60 x 8 mm
Material color: -



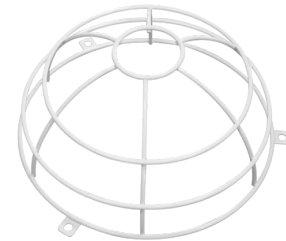
IR-PD-DALI-E
Art.No: 92122

Battery: 3.0 V Lithium CR2032 (inclusive)
Dimensions: 80 x 60 x 8 mm
Material color: -



IR-PD-DALI-Mini
Art.No: 92112

Battery: 3.0 V Lithium CR2032 (inclusive)
Dimensions: 57 x 35 x 7 mm
Material color: -



Wire basket BSK (Ø 200 x 90 mm)
Art.No: 92199

Dimensions: Ø 200 x 90 mm
Impact strength: IK09
Housing: coated steel basket