

B.E.G.**LUXOMAT®**

PD4-M-DIM-FC

Prod.No. 92247 EAN: 4007529922475

- Voltage: 110 - 240 V AC 50 / 60 Hz
- Dimensions: Ø 97 x 103 mm
- Power consumption: approx. 0.5 W

Areas of application

- open-plan offices
- conference rooms
- classrooms/seminar rooms
- entrance halls
- corridors/hallways
- sports halls/ storage rooms

Order data

Designation	Colour	Art.No
PD4-M-DIM-FC	white	92247

Accessories

Designation	Colour	Art.No
RC-Arc extinction kit	white	10880
Mini-RC-Arc extinction kit		10882
BLE-IR-Adapter	black	93067
IR-PDim	-	92200
IR-PD-DIM-Mini	-	92098
Wire basket BSK (Ø 200 x 90 mm)	white	92199

Technical data

Voltage:	110 – 240 V AC 50 / 60 Hz
Dimensions:	Ø 97 x 103 mm
Power consumption:	approx. 0.5 W
Detection area:	horizontal 360° (Ceiling mounting) max. Ø 24 m across max. Ø 8 m towards max. Ø 6.4 m seated
Range:	
Monitored area (tangential movement):	450 m ² / 2.5 m mounting height
Mounting height min./max./recommended:	2 m / 10 m / 2.5 m
Degree / class of protection:	IP20 / Class II
Impact strength:	IK04
Ambient temperature:	-25 °C to +50 °C
Housing:	polycarbonate, UV-resistant white mat, similar to RAL9010
Material color:	

Channel 1 (lighting control)

Switching power:	2300 W, $\cos \varphi$ = 1 1150 VA, $\cos \varphi$ = 0.5 300 W LED max. inrush current I_p (20 ms) = 165 A max. inrush current I_p (200 μ s) = 800 A
Type of contact (k):	1x μ -contact, NO contact with tungsten pre- make contact
DIM output:	1-10 V DC, up to 50 ballasts
Follow-up time:	1 min – 30 min
Brightness set value:	10 – 2000 Lux
Light measuring:	Mixed light measuring

Product information

Occupancy detector with large detection area, daylight-dependent lighting control

1 – 10 V interface for controlling analog, dimmable ballasts

Orientation light function

Additional switching channel for the following function:
Cut-Off (complete ECG switch-off to avoid standby losses).

Manual switching and dimming via push button possible

Version as master device

Detection area can be extended by using slave devices

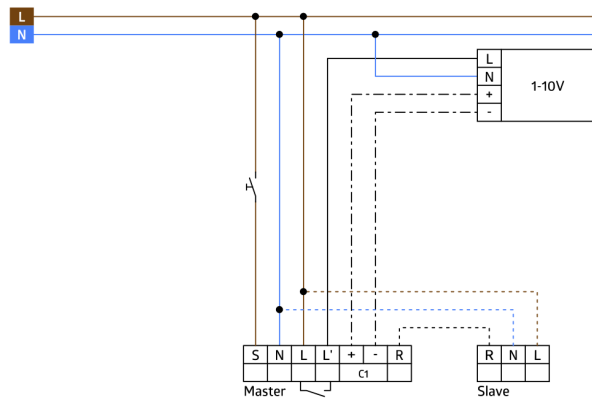
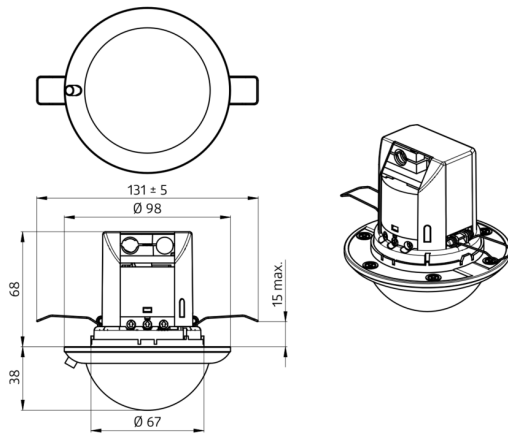
Additional functions can be set up using the optional remote control.

Relay with tungsten pre-make contact, optimised for LED loads

Avoidance of standby losses of the lighting system in accordance with EnEV DIN V 18599-4

Application examples:

open-plan offices, conference rooms, classrooms/seminar rooms, entrance halls, corridors/hallways, sports halls/ storage rooms



Accessories



RC-Arc extinction kit
Art.No: 10880

Voltage: 230 V AC $\pm 10\%$
Dimensions: 38 x 12 x 26 mm
Degree / class of protection: IP20 / Class II



Mini-RC-Arc extinction kit
Art.No: 10882

Voltage: 230 V AC $\pm 10\%$
Dimensions: 50 x 23 x 8 mm
Degree / class of protection: IP20 / Class II



BLE-IR-Adapter
Art.No: 93067

Dimensions: 40 x 55 x 103 mm
Material color: black
Frequency: 2.4 GHz ISM band, GFSK
0.2 dBm + 5.3 dBi = 5.5 dBm



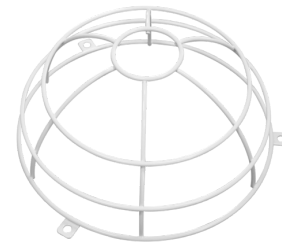
IR-PDim
Art.No: 92200

Battery: 3.0 V Lithium CR2032 (inclusive)
Dimensions: 80 x 60 x 8 mm
Material color: -



IR-PD-DIM-Mini
Art.No: 92098

Battery: 3.0 V Lithium CR2032 (inclusive)
Dimensions: 57 x 35 x 7 mm
Material color: -



Wire basket BSK (Ø 200 x 90 mm)
Art.No: 92199

Dimensions: Ø 200 x 90 mm
Impact strength: IK09
Housing: coated steel basket