

**B.E.G.****LUXOMAT®**

## PD4-M-DIM-C-SM

Prod.No. 92218 EAN: 4007529922185

Occupancy detector designed for corridors,  
daylight-dependent lighting control

1 - 10 V interface for controlling analog,  
dimmable ballasts

Orientation light function

### Areas of application

- corridors/hallways

### Order data

Designation	Colour	Art.No
PD4-M-DIM-C-SM	white	92218

### Accessories

Designation	Colour	Art.No
RC-Arc extinction kit	white	10880
Mini-RC-Arc extinction kit		10882
BLE-IR-Adapter	black	93067
IR-PDim	-	92200
IR-PD-DIM-Mini	-	92098
Wire basket BSK (Ø 200 x 90 mm)	white	92199
Wall holder PD4-SM	white	92441
Pendulum mounting set PD2/3/4 SM	white	93179

## Technical data

Voltage:	110 – 240 V AC 50 / 60 Hz
Dimensions:	Ø 101 x 76 mm
Power consumption:	approx. 0.5 W
Detection area:	horizontal 360° (Ceiling mounting) max. Ø 40 m across max. Ø 20 m towards
Range:	
Monitored area (tangential movement):	250 m <sup>2</sup> / 2.5 m mounting height
Mounting height min./max./recommended:	2.4 m / 2.6 m / 2.5 m
Degree / class of protection:	IP54 / Class II
Impact strength:	IK04
Ambient temperature:	-25 °C to +50 °C
Housing:	polycarbonate, UV-resistant
Material color:	white mat, similar to RAL9010

### Channel 1 (lighting control)

Switching power:	2300 W, $\cos \varphi$ = 1 1150 VA, $\cos \varphi$ = 0.5 300 W LED max. inrush current $I_p$ (20 ms) = 165 A max. inrush current $I_p$ (200 $\mu$ s) = 800 A
Type of contact (k):	1x $\mu$ -contact, NO contact with tungsten pre- make contact
DIM output:	1-10 V DC, up to 50 ballasts
Follow-up time:	1 min – 30 min
Brightness set value:	10 – 2000 Lux
Light measuring:	Mixed light measuring

## Product information

Occupancy detector designed for corridors, daylight-  
dependent lighting control

1 – 10 V interface for controlling analog, dimmable ballasts

Orientation light function

Additional switching channel for the following function:  
Cut-Off (complete ECG switch-off to avoid standby losses).

Manual switching and dimming via push button possible

Version as master device

Detection area can be extended by using slave devices

Additional functions can be set up using the optional remote  
control.

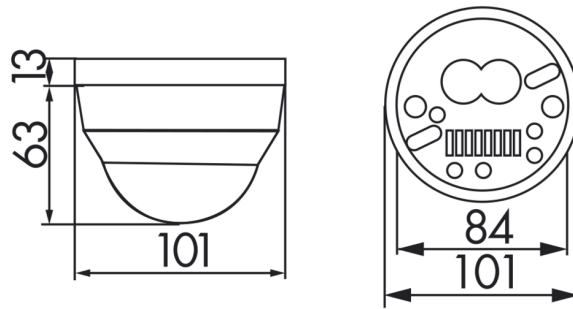
Relay with tungsten pre-make contact, optimised for LED  
loads

Avoidance of standby losses of the lighting system in  
accordance with EnEV DIN V 18599-4

There are markings to ensure correct alignment during  
installation

### Application examples:

corridors/hallways



## Accessories



**RC-Arc extinction kit**  
Art.No: 10880

Voltage: 230 V AC  $\pm 10\%$   
Dimensions: 38 x 12 x 26 mm  
Degree / class of protection: IP20 / Class II



**Mini-RC-Arc extinction kit**  
Art.No: 10882

Voltage: 230 V AC  $\pm 10\%$   
Dimensions: 50 x 23 x 8 mm  
Degree / class of protection: IP20 / Class II



**BLE-IR-Adapter**  
Art.No: 93067

Dimensions: 40 x 55 x 103 mm  
Material color: black  
Frequency: 2.4 GHz ISM band,  
GFSK 0.2 dBm + 5.3 dBi = 5.5 dBm



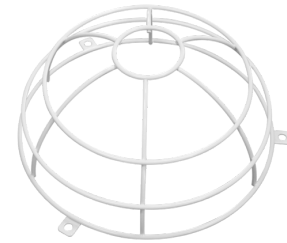
**IR-PDiM**  
Art.No: 92200

Battery: 3.0 V Lithium CR2032 (inclusive)  
Dimensions: 80 x 60 x 8 mm  
Material color: -



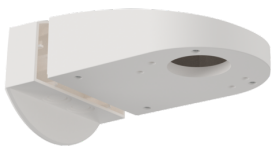
**IR-PD-DIM-Mini**  
Art.No: 92098

Battery: 3.0 V Lithium CR2032 (inclusive)  
Dimensions: 57 x 35 x 7 mm  
Material color: -



**Wire basket BSK (Ø 200 x 90 mm)**  
Art.No: 92199

Dimensions: Ø 200 x 90 mm  
Impact strength: IK09  
Housing: coated steel basket



**Wall holder PD4-SM**  
Art.No: 92441

Dimensions: 130 x 100 x 53 mm  
Housing: polycarbonate, UV-resistant  
Material color: white



**Pendulum mounting set PD2/3/4 SM**  
Art.No: 93179

Dimensions: 1 : Ø 113 x 79 mm, 2 : Ø 113 x 34 mm  
Housing: polycarbonate, UV-resistant  
Material color: white, similar to RAL9010