

B.E.G.

LUXOMAT®



PD4-M-DACO-GH-SM DALI-2 Set 93469-92199

- Voltage: 230 V AC $\pm 10\%$ 50 Hz
- Dimensions: **Ø 200 x 90 mm (92199)**
- Power consumption: approx. 2 W

Areas of application

- high-bay warehouse
- sports halls/ storage rooms

Order data

Designation	Colour	Art.No
PD4-M-DACO-GH-SM DALI-2	white	93469
Wire basket BSK (Ø 200 x 90 mm)	white	92199

Technical data

Voltage:	230 V AC ±10% 50 Hz
Dimensions:	Ø 200 x 90 mm (92199)
Power consumption:	approx. 2 W
Slave devices:	up to 8
Detection area:	horizontal 360° oval (Ceiling mounting)
Range:	30 m x 19 m
Monitored area (tangential movement):	440 m ² / 14 m mounting height
Mounting height min./max./recommended:	5 m / 16 m / 14 m
Degree / class of protection:	IP54 / Class II
Impact strength:	IK09 (92199)
Ambient temperature:	-25 °C to +50 °C polycarbonate, UV-resistant + coated steel basket (92199)
Housing:	white mat, similar to RAL9010
Material color:	

Channel 1 (lighting control)

DALI output:	80 mA (guaranteed), 125 mA (max.), Shut-down mechanism
Supported control gear:	DT0, DT5, DT6, DT7
Supported control devices:	- (single master)
Follow-up time:	1 min - 150 min 10 - 30 % / OFF /
Orientation light:	5 min - 60 min / ∞
Brightness set value:	10 - 2500 Lux
Light measuring:	Mixed light measuring

Product information

Set : PD4-M-DACO-GH-SM DALI-2 + Wire basket BSK
(Ø 200 x 90 mm) white

Occupancy detector for large heights with integrated DALI
application controller for energy-efficient lighting control

External telescopic light sensor for a mounting height
between 5 and 16 m (mechanically adjustable) for measuring
the light according to the application.

DALI-2 certified product

Integrated DALI power supply

DALI interface for controlling digital, dimmable ECGs in
broadcast mode

Manual switching or dimming via conventional pushbuttons

Bidirectional IR communication enables fast integration into
the project management function of the B.E.G. One app

Complete range of functions can only be activated using the
BLE-IR-Adapter and a compatible Smartphone or Tablet
(Android, iOS).

Semi-automatic, full automatic, presence-independent or
light-independent mode adjustable

Adjustable regulation dynamics (minimum and maximum
values)

Adjustable speed and delay of the regulation

Single master version, not networkable

Detection area can be extended by using slave devices

Mixed light measurement with external light sensor

DALI output power can be increased with accessories

Integrated daylight harvesting circuit (or switch output)

Adjustable switch-on value

Last value - Reminder function for switch-on value

Adjustable brightness set value and reflection factor

Indication of the current light sensor value in the B.E.G. One
App

Self-check and display of device errors in the B.E.G. One App

Status LEDs can be activated / deactivated

PIN code

Corridor function - Deactivates the possibility to switch off the
light via the push-button

Number of DALI participants can be determined quickly and
reliably via the B.E.G. Online DALI Line Planner

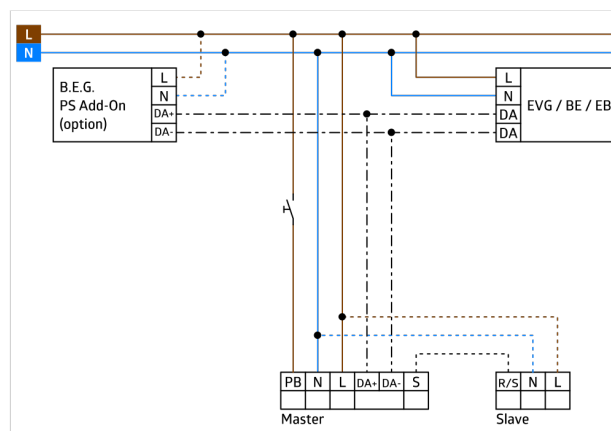
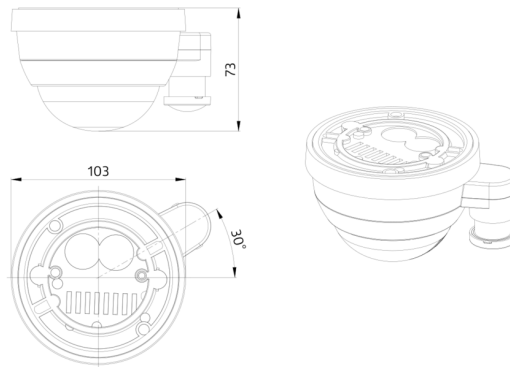
Software is backwards compatible with the first generation (except DSI, double lock and corridor function)

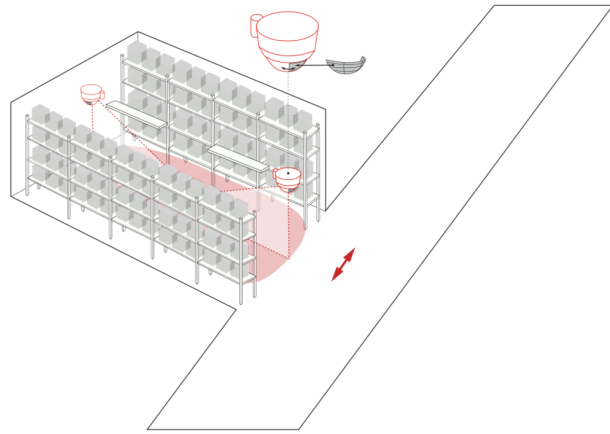
Factory setting 10 min follow-up time and 500 lux brightness set value

There are markings to ensure correct alignment during installation

When used in high-bay warehouses, care should be taken that, in the cross-aisles of the warehouse, detectors are installed that can detect movement only in the desired aisle locations, by using blinds or other technical arrangements.

Surface-mount version





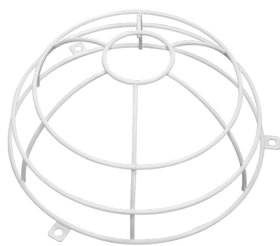
Set items

To receive the bundle according to the technical specification, please order the items listed.



PD4-M-DACO-GH-SM DALI-2
Art.No: 93469

Voltage: 230 V AC $\pm 10\%$ 50 Hz
Dimensions: $\varnothing 101 \times 76$ mm
Power consumption: approx. 2 W



Wire basket BSK ($\varnothing 200 \times 90$ mm)
Art.No: 92199

Dimensions: $\varnothing 200 \times 90$ mm
Impact strength: IK09
Housing: coated steel basket