

B.E.G.**LUXOMAT®**

PD4-M-DAA4G-FC Set 92591-92467

- Voltage: 110 - 240 V AC 50 / 60 Hz
- Dimensions: **Ø 164 x 143 mm (92467)**
- Power consumption: approx. 0.4 W

Areas of application

- conference rooms
- classrooms/seminar rooms

Order data

Designation	Colour	Art.No
PD4-M-DAA4G-FC	white	92591
Wire basket BSK (Ø 164 x 143 mm)	white	92467

Technical data

Voltage:	110 - 240 V AC 50 / 60 Hz
Dimensions:	Ø 164 x 143 mm (92467)
Power consumption:	approx. 0.4 W
Detection area:	horizontal 360° (Ceiling mounting) max. Ø 24 m across max. Ø 8 m towards max. Ø 6.4 m seated
Range:	
Monitored area (tangential movement):	450 m ² / 2.5 m mounting height
Mounting height min./max./recommended:	2 m / 10 m / 2.5 m
Degree / class of protection:	IP20 / Class II
Impact strength:	IK09 (92467)
Ambient temperature:	-25 °C to +50 °C
Housing:	polycarbonate, UV-resistant + coated steel basket (92467)
Material color:	white mat, similar to RAL9010

DALI Control

DALI output:	up to 64 DALI ballasts , can be grouped into 3 DALI groups plus blackboard lighting or HVAC control
Follow-up time:	1 min - 150 min (Lighting zones)
Orientation light:	10 - 30 % / OFF / 5 min - 60 min / ∞
Brightness set value:	10 - 2000 Lux
Relay (dry NO)	
Switching power:	2300 W, cos φ = 1 1150 VA, cos φ = 0.5 300 W LED
Follow-up time:	5 sec - 120 min (HVAC)
Light measuring:	Mixed light measuring

Product information

Set : PD4-M-DAA4G-FC + Wire basket BSK (Ø 164 x 143 mm) white

Flexible DALI Compact solution designed for conference rooms, training rooms and classrooms

High-sensitivity occupancy detector with the capability to address up to 64 DALI electronic ballasts (EB) automatically, with segmented control via 4 groups

Quick commissioning and maintenance processes via Smartphone/Tablet App (Android, iOS) - No PC-Tool required

3 lighting zones:

A for main lighting with segmented constant light regulation via 3 DALI groups and offset control,

B for lectern or blackboard lighting via separate DALI group, C for lectern or blackboard lighting by integrated relay

Powerful switching relay for different operating modes, e.g. Cut-off function for DALI ballasts, HVAC, blackboard illumination.

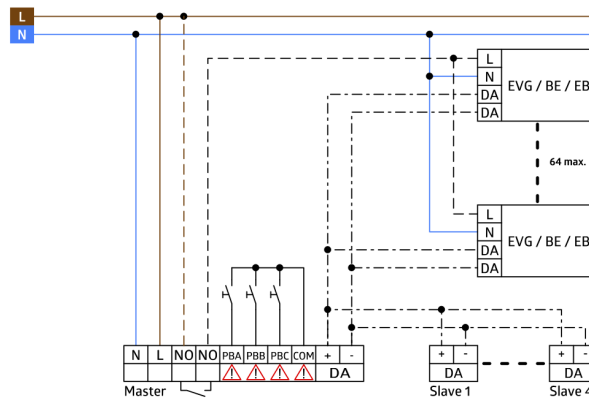
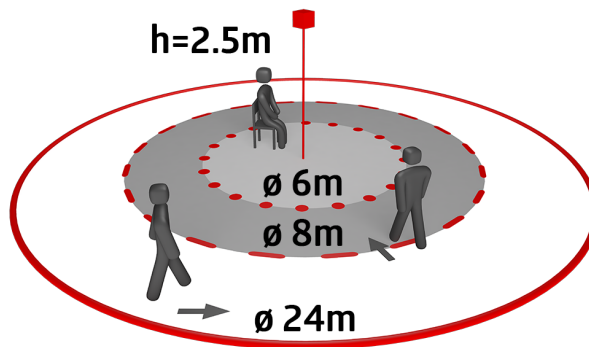
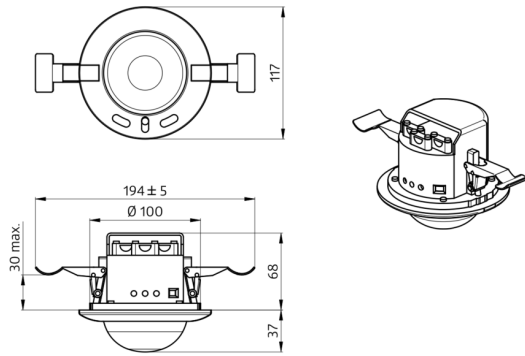
Manual switching or dimming via conventional pushbuttons

Detection area can be extended with up to four Slave devices of type PD4-S-DAA4G

Complete range of functions can only be activated using the B.E.G. IR Adapter or the BLE-IR-Adapter and a compatible Smartphone or Tablet (Android, iOS).

External light sensor can be swivelled by 45

Avoidance of standby losses of the lighting system in accordance with EnEV DIN V 18599-4



Set items

To receive the bundle according to the technical specification, please order the items listed.



PD4-M-DAA4G-FC

Art.No: 92591

Voltage: 110 – 240 V AC 50 / 60 Hz

Dimensions: Ø 117 x 100 mm

Power consumption: approx. 0.4 W



Wire basket BSK (Ø 164 x 143 mm)

Art.No: 92467

Dimensions: Ø 164 x 143 mm

Impact strength: IK09

Housing: coated steel basket