

B.E.G.**LUXOMAT®**

PD4-M-1C-FM Set 92575-92199

230V PIR motion detector with 360° detection and a range of up to Ø24m (450 m²), remote-controlled

Areas of application

- corridors/hallways
- toilets
- equipment rooms

Order data

Designation	Colour	Art.No
PD4-M-1C-FM	white	92575
Wire basket BSK (Ø 200 x 90 mm)	white	92199

Technical data

Voltage:	110 - 240 V AC 50 / 60 Hz
Dimensions:	Ø 200 x 90 mm (92199)
Power consumption:	approx. 0.4 W horizontal 360°
Detection area:	(Ceiling mounting) max. Ø 24 m across max. Ø 8 m towards max. Ø 6.4 m seated
Range:	
Monitored area (tangential movement):	450 m ² / 2.5 m mounting height
Mounting height min./max./recommended:	2 m / 10 m / 2.5 m
Degree / class of protection:	IP20 / Class II
Impact strength:	IK09 (92199)
Ambient temperature:	-25 °C to +50 °C
Housing:	polycarbonate, UV-resistant + coated steel basket (92199)
Material color:	white mat, similar to RAL9010

Channel 1 (lighting control, potential-free (dry))

Switching power:	2300 W, $\cos \varphi = 1$ 1150 VA, $\cos \varphi = 0.5$ 800 W LED max. inrush current I_p (20 ms) = 165 A max. inrush current I_p (200 μ s) = 800 A
Type of contact (k):	1x μ -contact, dry NO contact with tungsten pre- make contact
Follow-up time:	15 sec - 30 min, Pulse
Switch-on threshold:	10 - 2000 Lux
Light measuring:	Mixed light measuring

Product information

Set : PD4-M-1C-FM + Wire basket BSK (Ø 200 x 90 mm) white

Occupancy detector with extended detection area

One potential-free (dry) contact

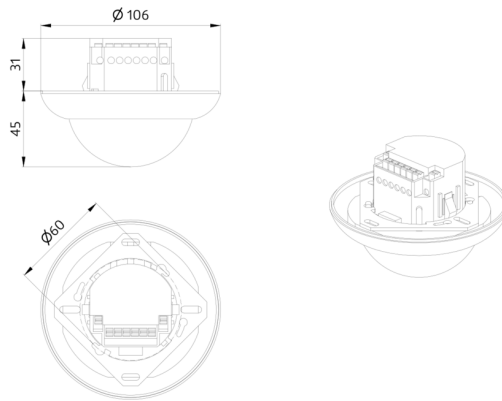
Version as master device

Detection area can be extended by using slave devices

Manual switching via push-button possible

Additional functions can be set up using the optional remote control.

Factory settings 10 min and 500 lux



Set items

To receive the bundle according to the technical specification, please order the items listed.



PD4-M-1C-FM

Art.No: 92575

Voltage: 110 – 240 V AC 50 / 60 Hz

Dimensions: Ø 104 x 70 mm

Power consumption: approx. 0.4 W



Wire basket BSK (Ø 200 x 90 mm)

Art.No: 92199

Dimensions: Ø 200 x 90 mm

Impact strength: IK09

Housing: coated steel basket