



PD4-KNXs-GH-DX-SM Set 93518-92199

- Voltage: via KNX BUS
- Dimensions: **Ø 200 x 90 mm (92199)**
- Typ. power input: 12 mA

Order data

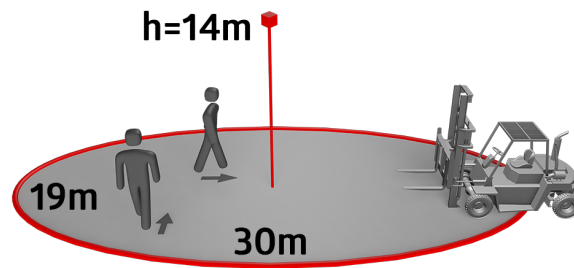
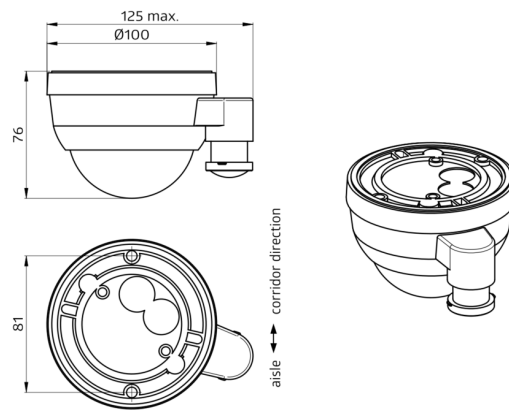
Designation	Colour	Art.No
PD4-KNXs-GH-DX-SM	white	93518
Wire basket BSK (Ø 200 x 90 mm)	white	92199

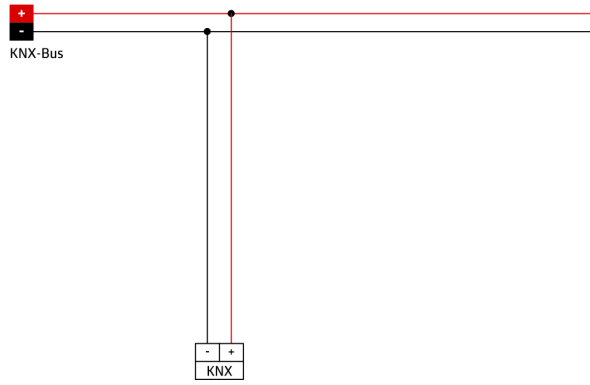
Technical data

Voltage:	via KNX BUS
Dimensions:	Ø 200 x 90 mm (92199)
Typ. power input:	12 mA
Detection area:	horizontal 360° oval (Ceiling mounting)
Range:	30 m x 19 m
Monitored area (tangential movement):	440 m ² / 14 m mounting height
Mounting height min./max./recommended:	5 m / 16 m / 14 m
Degree / class of protection:	IP54 / Class III
Impact strength:	IK09 (92199)
Temperature measurement range:	-5 °C to +45 °C
Ambient temperature:	-25 °C to +55 °C
Housing:	polycarbonate, UV-resistant + coated steel basket (92199)
Material color:	white mat, similar to RAL9010
Number of light sensors:	1
Number of PIR sensors:	3
KNX TP 256:	Yes
KNX Secure:	Yes
Orientation light:	5 - 100 % / OFF / 1 min - 255 min
Night light:	5 - 100 %
Brightness set value:	5 - 2000 Lux

Product information

Set : PD4-KNXs-GH-DX-SM + Wire basket BSK (Ø 200 x 90 mm) white





Set items

To receive the bundle according to the technical specification, please order the items listed.



PD4-KNXs-GH-DX-SM
Art.No: 93518

Voltage: via KNX BUS
Dimensions: Ø 101 x 76 mm
Typ. power input: 12 mA



Wire basket BSK (Ø 200 x 90 mm)
Art.No: 92199

Dimensions: Ø 200 x 90 mm
Impact strength: IK09
Housing: coated steel basket