



## PD4-KNX-GH-DX-SM

Prod.No. 93399 EAN: 4007529933990

KNX occupancy detector designed for high-bay warehouses, with integrated KNX bus connector

Mixed light measurement with internal and external light sensor

1 x light output (for regulating or switching), 1 x slave output, 3 x HVAC outputs (separately programmable)

### Order data

Designation	Colour	Art.No
PD4-KNX-GH-DX-SM		93399

### Accessories

Designation	Colour	Art.No
BLE-IR-Adapter	black	93067
IR-PD-KNX	-	92123
IR-PD-KNX-Mini	-	93398

## Technical data

Voltage:	via KNX BUS
Dimensions:	Ø 101 x 76 mm
Typ. power input:	12 mA
Detection area:	horizontal 360° oval (Ceiling mounting)
Range:	30 m x 19 m
Monitored area (tangential movement):	440 m <sup>2</sup> / 14 m mounting height
Mounting height min./max./recommended:	5 m / 16 m / 14 m
Degree / class of protection:	IP54 / Class III
Impact strength:	IK04
Temperature measurement range:	-5 °C to +45 °C
Ambient temperature:	-25 °C to +55 °C
Housing:	polycarbonate, UV-resistant
Material color:	white mat, similar to RAL9010
Number of light sensors:	1
Number of PIR sensors:	3
KNX TP 256:	Yes
Orientation light:	5 - 100 % / OFF / 1 min - 255 min
Night light:	5 - 100 %
Brightness set value:	5 - 2000 Lux

## Product information

KNX occupancy detector designed for high-bay warehouses, with integrated KNX bus connector

External telescopic light sensor for a mounting height between 5 and 16 m (mechanically adjustable) for measuring the light according to the application.

Mixed light measurement with internal and external light sensor

1 x light output (for regulating or switching), 1 x slave output, 3 x HVAC outputs (separately programmable)

Intelligent semi-automatic mode, occupancy-independent regulating mode (photoelectric switch), full automatic mode

Two logic modules

Individual adaption of detection sensitivity for each PIR sensor

Direction of movement can be identified

Various locking functions

Status LEDs can be activated / deactivated

Programming button (phys. address) can be operated via remote control

Regulation/switching of three light groups via offset (external influence possible)

Short presence, self-adjusting follow-up time, corridor function

Recall of light scenes

Temperature sensor

HVAC mode (0=automatic, 1=comfort, 2=stand-by, 3=economy, 4=antifreeze/heat protection)

5 button remote control, programmable at choice (accessory)

Occupancy simulation

PIR sensors can be deactivated individually

Detection area can be extended thanks to master-slave-mode

Extensive optimization options for light measurement

Measured light value is communicated to the bus

IR remote control-capable via IR remote control (optionally)

PIN code

Manual influence via external KNX push buttons possible

Function control (heartbeat, cyclical sending)

Forced switch-off

Intelligent central-off function

Premonition of switch-off

Behaviour upon bus voltage return definable at choice

Variable safety pause after switching off the lights

Settings ex ETS 4 for integration in KNX systems

The product database for import into the ETS database can be downloaded from the B.E.G. homepage.

Adaption of dimming curve

Determination of the reflection factor, e.g. on a desk, with the optional BLE-IR-Adapter

Burn-in function for fluorescent lamps selectable from 1h till 100h

Soft-start

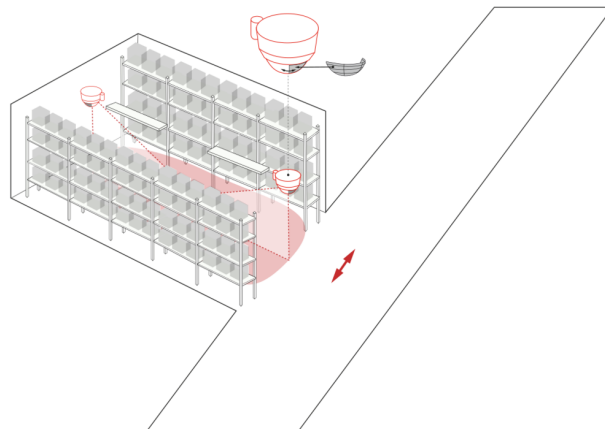
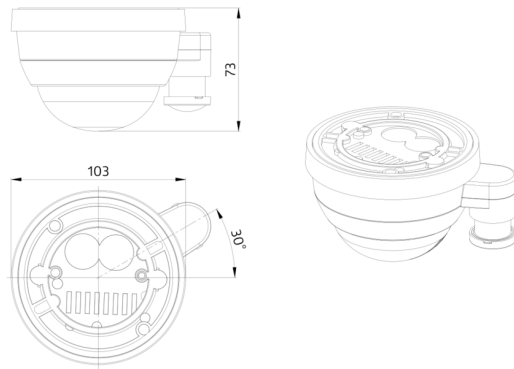
Blinds

There are markings to ensure correct alignment during installation

**When used in high-bay warehouses, care should be taken that, in the cross-aisles of the warehouse, detectors are installed that can detect movement only in the desired aisle locations, by using blinds or other technical arrangements.**

**Application examples:**

high-bay warehouse





## Accessories



### BLE-IR-Adapter

Art.No: 93067

Dimensions: 40 x 55 x 103 mm

Material color: black

Frequency: 2.4 GHz ISM band, GFSK 0.2 dBm + 5.3 dBi = 5.5 dBm



### IR-PD-KNX

Art.No: 92123

Battery: 3.0 V Lithium CR2032 (inclusive)

Dimensions: 80 x 60 x 8 mm

Material color: -



### IR-PD-KNX-Mini

Art.No: 93398

Battery: 3.0 V Lithium CR2032 (inclusive)

Dimensions: 57 x 35 x 7 mm

Material color: -