

B.E.G.**LUXOMAT®**

PD3N-2C-FC Set 92198-92991

- Voltage: 110 - 240 V AC 50 / 60 Hz
- Dimensions: Ø 83 x 81 mm
- Power consumption: approx. 0.5 W

Areas of application

- corridors/hallways
- staircases
- toilets
- equipment rooms

Order data

Designation	Colour	Art.No
PD3N-2C-FC	white	92198
Square design frame PD3N-FC	white	92991

Technical data

Voltage:	110 - 240 V AC 50 / 60 Hz
Dimensions:	Ø 83 x 81 mm
Power consumption:	approx. 0.5 W
Detection area:	horizontal 360° (Ceiling mounting) max. Ø 10 m across max. Ø 6 m towards max. Ø 4 m seated
Range:	
Monitored area (tangential movement):	78 m ² / 2.5 m mounting height
Mounting height min./max./recommended:	2 m / 5 m / 2.5 m
Degree / class of protection:	IP23 / Class II
Impact strength:	IK04
Ambient temperature:	-25 °C to +50 °C
Housing:	polycarbonate, UV-resistant
Material color:	white mat, similar to RAL9010

Channel 1 (lighting control)

Switching power:	2300 W, $\cos \varphi$ = 1 1150 VA, $\cos \varphi$ = 0.5 800 W LED max. inrush current I_p (20 ms) = 165 A max. inrush current I_p (200 μ s) = 800 A
Type of contact (k):	1x μ -contact, NO contact with tungsten pre- make contact
Follow-up time:	30 sec - 30 min, Pulse
Switch-on threshold:	10 - 2000 Lux

Channel 2 (HVAC control potential-free (dry))

Switching power:	3 A (230 V), $\cos \varphi$ = 1
Type of contact:	1x NO contact (dry)
Follow-up time:	5 min - 120 min

Product information

Set : PD3N-2C-FC + Square design frame PD3N-FC
white mat, similar to RAL9010

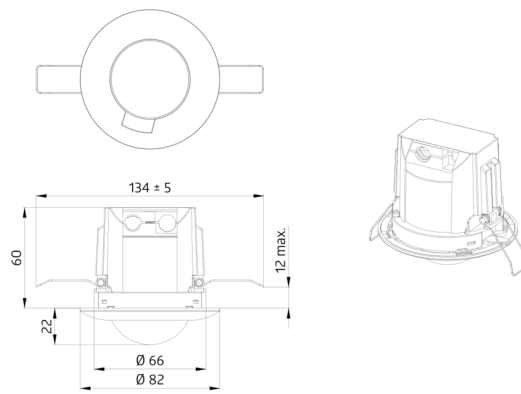
Remote control-capable ceiling motion detector

One channel for light switching

Zero crossing switching

One additional potential-free (dry) contact for HVAC

Additional functions can be set up using the optional remote control.



Set items

To receive the bundle according to the technical specification, please order the items listed.



PD3N-2C-FC
Art.No: 92198

Voltage: 110 – 240 V AC 50 / 60 Hz
Dimensions: Ø 83 x 81 mm
Power consumption: approx. 0.5 W



Square design frame PD3N-FC
Art.No: 92991

Dimensions: 83 x 83 x 8 mm
Housing: polycarbonate, UV-resistant
Material color: white mat, similar to RAL9010