

**B.E.G.**

**LUXOMAT®**



## PD3-1C-SM Set 92194-93179

230V PIR motion detector with 360° detection  
and a range of up to Ø10m (78 m<sup>2</sup>)

### Order data

Designation	Colour	Art.No
PD3-1C-SM	white	92194
Pendulum mounting set PD2/3/4 SM	white	93179

## Technical data

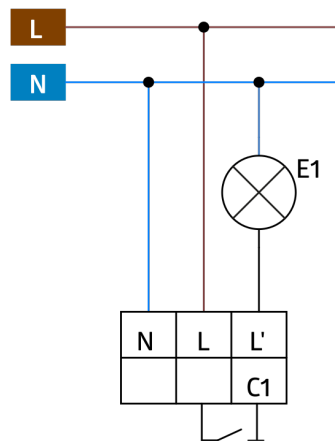
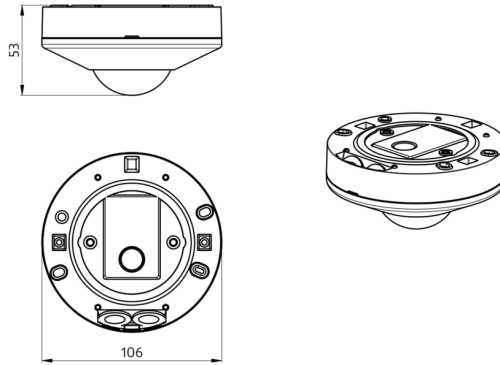
Voltage:	110 - 240 V AC 50 / 60 Hz
Dimensions:	<b>Ø 106 x 53 mm + 1 : Ø 113 x 79 mm, 2 : Ø 113 x 34 mm (93179)</b>
Power consumption:	< 0.3 W
Detection area:	horizontal 360° (Ceiling mounting) max. Ø 10 m across max. Ø 6 m towards max. Ø 4 m seated
Range:	
Monitored area (tangential movement):	78 m <sup>2</sup> / 2.5 m mounting height
Mounting height min./max./recommended:	2 m / 5 m / 2.5 m
Degree / class of protection:	IP44 / Class II
Ambient temperature:	-25 °C to +50 °C
Housing:	polycarbonate, UV-resistant
Material color:	white mat, similar to RAL9010

### Channel 1 (lighting control)

Switching power:	2000 W, cos $\varphi$ = 1 1000 VA, cos $\varphi$ = 0.5 400 W LED, minimum runtime > 5 min max. inrush current I <sub>p</sub> (20 ms) = 80 A
Type of contact (k):	μ-contact, NO contact
Follow-up time:	30 sec - 30 min, Pulse
Switch-on threshold:	10 - 2000 Lux

## Product information

Set : PD3-1C-SM + Pendulum mounting set PD2/3/4  
SM white, similar to RAL9010



## Set items

To receive the bundle according to the technical specification, please order the items listed.



### **PD3-1C-SM**

Art.No: 92194

Voltage: 110 – 240 V AC 50 / 60 Hz

Dimensions: Ø 106 x 53 mm

Power consumption: < 0.3 W



### **Pendulum mounting set PD2/3/4 SM**

Art.No: 93179

Dimensions: 1 : Ø 113 x 79 mm, 2 : Ø 113 x 34 mm

Housing: polycarbonate, UV-resistant

Material color: white, similar to RAL9010