

B.E.G.

LUXOMAT®



PD3-1C-SM Set 92194-92199

230V PIR motion detector with 360° detection
and a range of up to Ø10m (78 m²)

Order data

Designation	Colour	Art.No
PD3-1C-SM	white	92194
Wire basket BSK (Ø 200 x 90 mm)	white	92199

Technical data

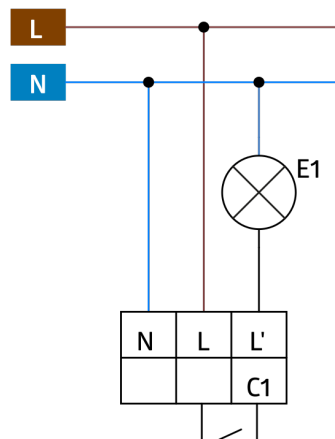
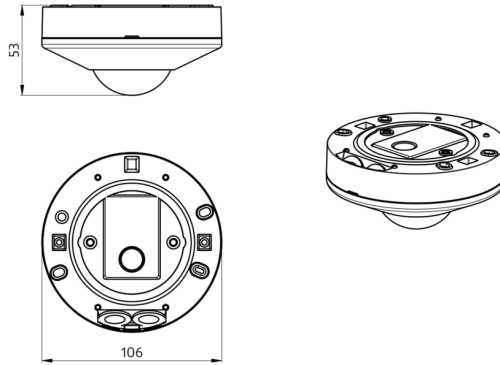
Voltage:	110 - 240 V AC 50 / 60 Hz
Dimensions:	Ø 200 x 90 mm (92199)
Power consumption:	< 0.3 W
Detection area:	horizontal 360° (Ceiling mounting) max. Ø 10 m across max. Ø 6 m towards max. Ø 4 m seated
Range:	
Monitored area (tangential movement):	78 m ² / 2.5 m mounting height
Mounting height min./max./recommended:	2 m / 5 m / 2.5 m
Degree / class of protection:	IP44 / Class II
Ambient temperature:	-25 °C to +50 °C
Housing:	polycarbonate, UV-resistant + coated steel basket (92199)
Material color:	white mat, similar to RAL9010

Channel 1 (lighting control)

	2000 W, $\cos \varphi = 1$ 1000 VA, $\cos \varphi = 0.5$
Switching power:	400 W LED, minimum runtime > 5 min max. inrush current I_p (20 ms) = 80 A
Type of contact (k):	μ -contact, NO contact
Follow-up time:	30 sec - 30 min, Pulse
Switch-on threshold:	10 - 2000 Lux

Product information

Set : PD3-1C-SM + Wire basket BSK (Ø 200 x 90 mm)
white



Set items

To receive the bundle according to the technical specification, please order the items listed.



PD3-1C-SM
Art.No: 92194

Voltage: 110 – 240 V AC 50 / 60 Hz
Dimensions: Ø 106 x 53 mm
Power consumption: < 0.3 W



Wire basket BSK (Ø 200 x 90 mm)
Art.No: 92199

Dimensions: Ø 200 x 90 mm
Impact strength: IK09
Housing: coated steel basket