

**B.E.G.****LUXOMAT®**

## PD2N-S Set

# 93240-93760-92199

Slave PIR motion detector with 360° coverage and a range of up to Ø10m (78 m²)

### Order data

Designation	Colour	Art.No
PD2N-S	white	93240
Cover ring PD2N FM	white	93760
Wire basket BSK (Ø 200 x 90 mm)	white	92199

## Technical data

Voltage:	110 - 240 V AC 50 / 60 Hz
Dimensions:	<b>Ø 200 x 90 mm (92199)</b>
Power consumption:	approx. 0.2 W horizontal 360°
Detection area:	(Ceiling mounting) max. Ø 10 m across max. Ø 6 m towards max. Ø 4 m seated
Range:	
Monitored area (tangential movement):	78 m <sup>2</sup> / 2.5 m mounting height
Mounting height min./max./recommended:	2 m / 5 m / 2.5 m
Degree / class of protection:	IP20 / Class II
Impact strength:	<b>IK09 (92199)</b>
Ambient temperature:	-25 °C to +50 °C
Housing:	<b>polycarbonate, UV-resistant + coated steel basket (92199)</b> <b>white mat, similar to RAL9010 (93760)</b>
Material color:	
Pulse interval:	2 or 9 sec

## Product information

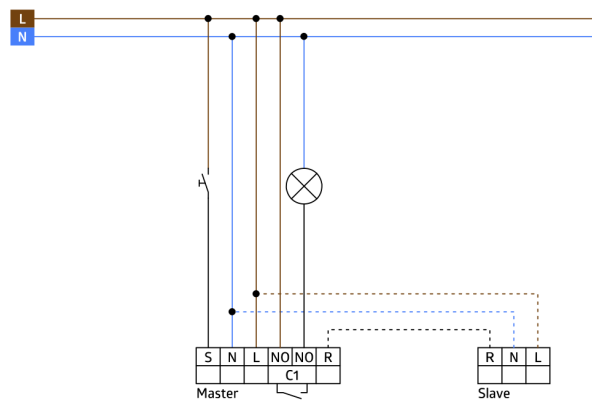
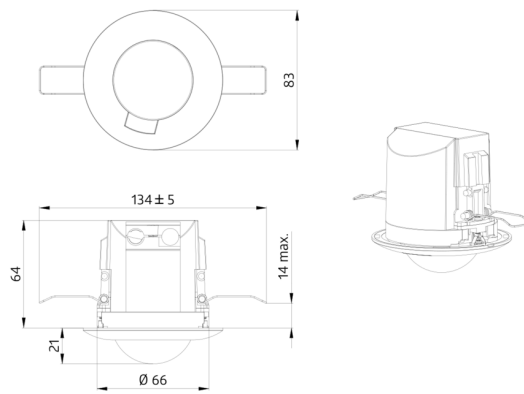
Set : PD2N-S + Cover ring PD2N FM white mat,  
similar to RAL9010 + Wire basket BSK (Ø 200 x 90  
mm) white

Slave device detector with circular detection area

For extending the detection area of a Master device

Trigger pulse to master device upon detected movement  
independent of the ambient light level

Compatible with 230 V devices. Concerning exceptions please  
see the respective master device.



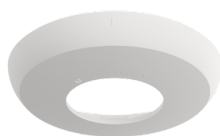
## Set items

To receive the bundle according to the technical specification, please order the items listed.



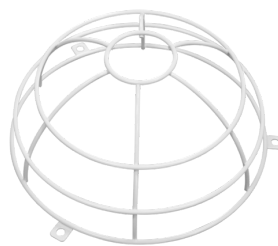
**PD2N-S**  
Art.No: 93240

Voltage: 110 – 240 V AC 50 / 60 Hz  
Dimensions: Ø 82 x 86 mm  
Power consumption: approx. 0.2 W



**Cover ring PD2N FM**  
Art.No: 93760

Dimensions: Ø 106 x 20 mm  
Impact strength: IK05  
Housing: polycarbonate, UV-resistant



**Wire basket BSK (Ø 200 x 90 mm)**  
Art.No: 92199

Dimensions: Ø 200 x 90 mm  
Impact strength: IK09  
Housing: coated steel basket