

**B.E.G.****LUXOMAT®**

## PD2N-M-DACO-1C DALI-2 Set 93455-93772

DALI-2 PIR motion detector with integrated DALI application controller, 360° detection, and a range of up to Ø10m (78 m<sup>2</sup>), with switching relay

### Order data

| Designation           | Colour        | Art.No |
|-----------------------|---------------|--------|
| PD2N-M-DACO-1C DALI-2 | white         | 93455  |
| Cover ring PD2N FC    | traffic white | 93772  |

### Areas of application

- small offices
- open-plan offices

## Technical data

|   |   |
|---|---|
| Voltage:  | 230 V AC $\pm$ 10%<br>50 Hz   |
| Dimensions:                                     | Ø 84 x 85 mm  |
| Power consumption:                              | approx. 2 W   |
| Slave devices:                                  | up to 8   |
| Detection area:                                 | horizontal 360°<br>(Ceiling<br>mounting)<br>max. Ø 10 m<br>across<br>max. Ø 6 m<br>towards<br>max. Ø 4 m<br>seated        |
| Range:  |   |
| Monitored area (tangential<br>movement):        | 78 m <sup>2</sup> / 2.5 m<br>mounting<br>height   |
| Mounting height<br>min./max./recommended:       | 2 m / 5 m / 2.5<br>m  |
| Degree / class of<br>protection:                | IP20 / Class II   |
| Impact strength:                                | IK05  |
| Ambient temperature:                            | -25 °C to +50<br>°C   |
| Housing:  | polycarbonate,<br>UV-resistant  |
| Material color:                                 | <b>traffic white<br/>mat, similar<br/>to RAL9016<br/>(93772)</b>  |
| <b>Channel 1 (lighting<br/>control)</b>         |   |
| DALI output:                                    | 80 mA<br>(guaranteed),<br>125 mA (max.),<br>Shut-down<br>mechanism  |
| Supported control gear:                         | DT0, DT5, DT6,<br>DT7   |
| Supported control devices:                      | - (single<br>master)  |
| Follow-up time:                                 | 1 min - 150 min   |
| Orientation light:                              | 10 - 30 % / OFF<br>/ 5 min - 60 min<br>/ $\infty$   |
| Brightness set value:                           | 10 - 2500 Lux   |
| <b>Channel 2 (HVAC or<br/>lighting control)</b> |   |
| Switching power:                                | 2300 W, cos $\phi$<br>= 1<br>1150 VA, cos $\phi$<br>= 0.5<br>800 W LED<br>max. inrush<br>current $I_p$ (20<br>ms) = 165 A |
| Type of contact:                                | 1x $\mu$ -contact,<br>dry, bistable   |

## Product information

Set : PD2N-M-DACO-1C DALI-2 + Cover ring PD2N FC  
traffic white mat, similar to RAL9016

Occupancy detector with integrated DALI application  
controller for energy-efficient lighting control

DALI-2 certified product

Integrated DALI power supply

DALI interface for controlling digital, dimmable ECGs in  
broadcast mode

Manual switching or dimming via conventional pushbuttons

Bidirectional IR communication enables fast integration into  
the project management function of the B.E.G. One app

Complete range of functions can only be activated using the  
BLE-IR-Adapter and a compatible Smartphone or Tablet  
(Android, iOS).

Semi-automatic, full automatic, presence-independent or  
light-independent mode adjustable

Powerful switching relay for different operating modes, e.g.  
Cut-off function for DALI ballasts, HVAC, blackboard  
illumination.

Adjustable regulation dynamics (minimum and maximum  
values)

Adjustable speed and delay of the regulation

Single master version, not networkable

Detection area can be extended by using slave devices

Mixed light measurement with internal and external light  
sensor

DALI output power can be increased with accessories

Integrated daylight harvesting circuit (or switch output)

Adjustable switch-on value

Last value - Reminder function for switch-on value

Adjustable brightness set value and reflection factor

Indication of the current light sensor value in the B.E.G. One  
App

Self-check and display of device errors in the B.E.G. One App

Status LEDs can be activated / deactivated

PIN code

Corridor function - Deactivates the possibility to switch off the  
light via the push-button

Number of DALI participants can be determined quickly and

Follow-up time: 5 min - 120 min, Alarm pulse, Pulse  
Light measuring: Mixed light measuring

reliably via the B.E.G. Online DALI Line Planner

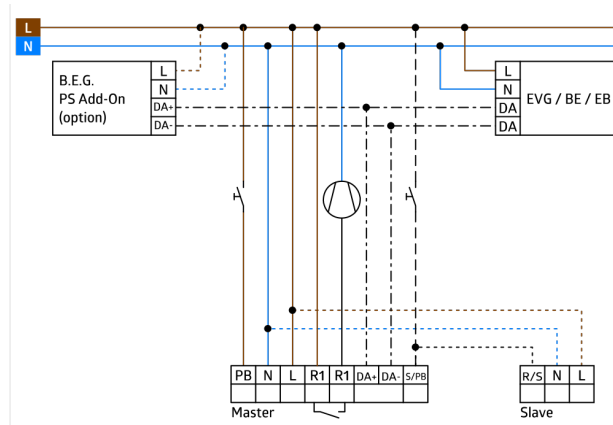
Avoidance of standby losses of the lighting system in accordance with EnEV DIN V 18599-4

Software is backwards compatible with the first generation (except DSI, double lock and corridor function)

Factory setting 10 min follow-up time and 500 lux brightness set value

Including pre-assembled spring clamp with strain relief and contact protection cap for recessed ceiling mounting

Accessory for surface mounting available



## Set items

To receive the bundle according to the technical specification, please order the items listed.



**PD2N-M-DACO-1C DALI-2**  
Art.No: 93455

Voltage: 230 V AC  $\pm 10\%$  50 Hz  
Dimensions:  $\varnothing 84 \times 85$  mm  
Power consumption: approx. 2 W



**Cover ring PD2N FC**  
Art.No: 93772

Dimensions:  $\varnothing 82 \times 13$  mm  
Impact strength: IK05  
Housing: polycarbonate, UV-resistant