

B.E.G.**LUXOMAT[®]net**

PD2N-LTMS-RR-FC

Prod.No. 92119 EAN: 4007529921195

LTMS PIR multisensor with 360° detection and a range of up to Ø10m (78 m²), remote-controlled, reed relay, light/temperature/motion sensor

Order data

Designation	Colour	Art.No
PD2N-LTMS-RR-FC	white	92119

Accessories

Designation	Colour	Art.No
BLE-IR-Adapter	black	93067
IR-LTMS	-	92185
Wire basket BSK (Ø 200 x 90 mm)	white	92199
Blinds PD2N/PD3N		37367

Technical data

Voltage:	16 – 48 V DC
Dimensions:	Ø 80 x 83 mm
Power consumption:	< 1 W
Detection area:	horizontal 360° (Ceiling mounting) max. Ø 10 m across max. Ø 6 m towards max. Ø 4 m seated
Range:	
Monitored area (tangential movement):	78 m ² / 2.5 m mounting height
Mounting height min./max./recommended:	2 m / 5 m / 2.5 m
Degree / class of protection:	IP20 / Class II
Impact strength:	IK05
Measured light output:	0 – 1000 Lux, 0-10 V, ca. 10 mV/ Lux
Temperatur Ausgabe:	0 °C – +50 °C, 0-10 V, ca. 200 mV/°C
Ambient temperature:	0 °C to +50 °C
Housing:	polycarbonate, UV-resistant
Material color:	white mat, similar to RAL9010

Channel 1

Switching power:	48 V DC / 0.1 A , cos ϕ = 1
Type of contact (k):	μ -contact, dry NO contact
Follow-up time:	1 sec – 60 min, Pulse
Light measuring:	Mixed light measuring

Product information

Multi-sensor for acquisition of data concerning occupancy (presence), temperature, and brightness.

For integration into proprietary bus system

Output of motion detection via switch contact

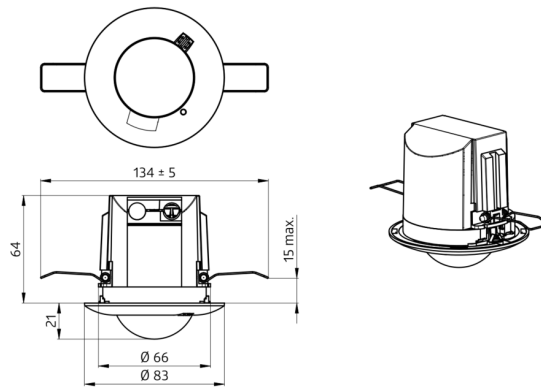
Output of current light and temperature values as analogue voltage

Fine adjustment of output values for light measurement and temperature via potentiometer on device

Additional functions can be set up using the optional remote control.

Application examples:

small offices, staircases, open-plan offices, conference rooms, classrooms/seminar rooms



Accessories



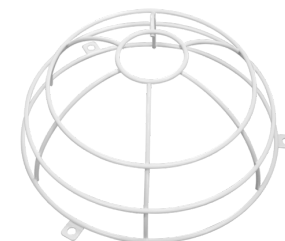
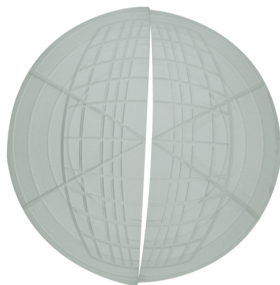
BLE-IR-Adapter

Art.No: 93067

Dimensions: 40 x 55 x 103 mm

Material color: black

Frequency: 2.4 GHz ISM band, GFSK 0.2 dBm + 5.3 dBi = 5.5 dBm



IR-LTMS

Art.No: 92185

Battery: 3.0 V Lithium CR2032 (inclusive)

Dimensions: 80 x 60 x 8 mm

Material color: -

Wire basket BSK (Ø 200 x 90 mm)

Art.No: 92199

Dimensions: Ø 200 x 90 mm

Impact strength: IK09

Housing: coated steel basket

Blinds PD2N/PD3N

Art.No: 37367

Housing: ABS