



## PD2N-KNXs-OCCULOG- DX-FM Set 93531-93307

- Voltage: via KNX BUS
- Dimensions: **Ø 106 x 42 mm + Ø 109 x 19 mm (93307)**
- Typ. power input: 25 mA

### Order data

Designation	Colour	Art.No
PD2N-KNXs-OCCULOG-DX-FM	white	93531
SM socle mounting set IP54 PD2N- / PD4N-FM	white	93307

## Technical data

Voltage:	via KNX BUS
Dimensions:	<b>Ø 106 x 42 mm + Ø 109 x 19 mm (93307)</b>
Typ. power input:	25 mA
Detection area:	horizontal 360° (Ceiling mounting) max. Ø 10 m across max. Ø 6 m towards max. Ø 4 m seated
Range:	78 m <sup>2</sup> / 2.5 m mounting height
Monitored area (tangential movement):	2 m / 5 m / 2.5 m
Mounting height min./max./recommended:	
Degree / class of protection:	<b>IP20 / Class III + IP54 (93307)</b>
Impact strength:	IK05
Temperature measurement range:	-5 °C to +45 °C
Ambient temperature:	-25 °C to +55 °C
Housing:	polycarbonate, UV-resistant <b>white, similar to RAL9010 (93307)</b>
Material color:	
Number of light sensors:	2
Number of PIR sensors:	1
KNX TP 256:	Yes
KNX Secure:	Yes
Orientation light:	5 - 100 % / OFF / 1 min - 255 min
Night light:	5 - 100 %
Brightness set value:	5 - 2000 Lux

## Product information

Set : PD2N-KNXs-OCCULOG-DX-FM + SM socle mounting set IP54 PD2N- / PD4N-FM white, similar to RAL9010

KNX occupancy detector with integrated KNX bus connector

Low installation depth

1 x light output (for regulating or switching), 1 x slave output, 3 x HVAC outputs (separately programmable)

Intelligent semi-automatic mode, occupancy-independent regulating mode (photoelectric switch), full automatic mode

Two logic modules

Individual adaption of the PIR sensor sensitivity

Mixed light measurement with internal and external light sensor

Various locking functions

Status LEDs can be activated / deactivated

Programming button (phys. address) can be operated via remote control

Regulation of up to three lighting groups using offset (external influence possible)

Short presence, self-adjusting follow-up time, corridor function

Recall of light scenes

Temperature- and noise sensor

Measurement of air quality based on volatile organic compounds (VOC)

Up to 4 limit values possible

Measurement of relative air humidity

All values can be sent to the bus and used for HVAC applications

Controller for temperature, air quality and humidity

HVAC mode (0=automatic, 1=comfort, 2=stand-by, 3=economy, 4=antifreeze/heat protection)

5 button remote control, programmable at choice (accessory)

Occupancy simulation

Detection area can be extended thanks to master-slave-mode

Extensive optimization options for light measurement

Measured light value is communicated to the bus

IR remote control-capable via IR remote control (optionally)

PIN code

Manual influence via external KNX push buttons possible

Function control (heartbeat, cyclical sending)

Forced switch-off

Intelligent central-off function

Premonition of switch-off

Behaviour upon bus voltage return definable at choice

Variable safety pause after switching off the lights

Parameterisation from ETS 5 for integration into KNX systems

The product database for import into the ETS database can be downloaded from the B.E.G. homepage.

Adaption of dimming curve

Determination of the reflection factor, e.g. on a desk, with the optional BLE-IR-Adapter

Burn-in function for fluorescent lamps selectable from 1h till 100h

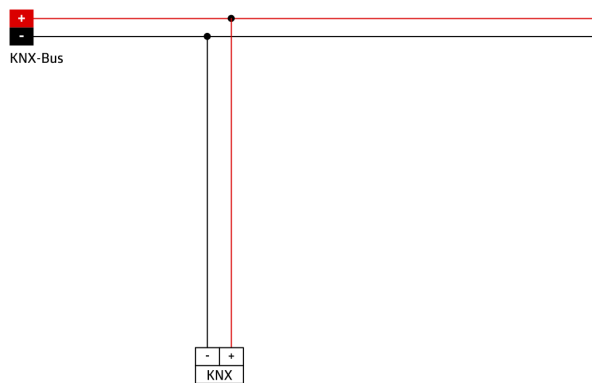
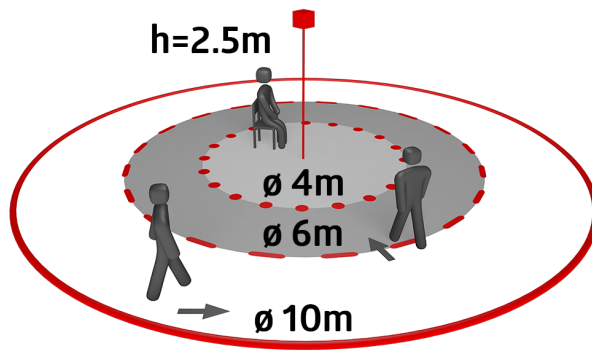
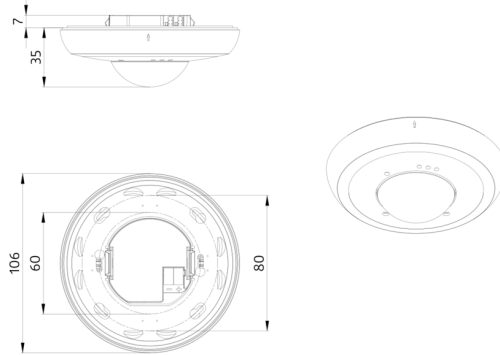
Soft-start

Integrated Tunable White controller for human-centric lighting

RGB control

Spring-clamps

Blinds



## Set items

To receive the bundle according to the technical specification, please order the items listed.



### **PD2N-KNXs-OCCULOG-DX-FM**

Art.No: 93531

Voltage: via KNX BUS  
Dimensions: Ø 106 x 42 mm  
Typ. power input: 25 mA



### **SM socle mounting set IP54 PD2N- / PD4N-FM**

Art.No: 93307

Dimensions: Ø 109 x 19 mm  
Degree / class of protection: IP54  
Material color: white, similar to RAL9010