



PD2N-KNXs-DX-FM Set 93513-93751-93761-92 199

KNX PIR Motion Sensor (Deluxe) with 360°
detection and a range of up to Ø10m (78 m²)

Order data

Designation	Colour	Art.No
PD2N-KNXs-DX-FM	white	93513
SM socle mounting set IP54 PD2N- / PD4N-FM	anthracite	93751
Cover ring PD2N FM	anthracite	93761
Wire basket BSK (Ø 200 x 90 mm)	white	92199

Technical data

Voltage:	via KNX BUS
Dimensions:	Ø 200 x 90 mm (92199)
Typ. power input:	12 mA
Detection area:	horizontal 360° (Ceiling mounting) max. Ø 10 m across max. Ø 6 m towards max. Ø 4 m seated
Range:	
Monitored area (tangential movement):	78 m ² / 2.5 m mounting height
Mounting height min./max./recommended:	2 m / 5 m / 2.5 m
Degree / class of protection:	IP20 / Class III + IP54 (93751)
Impact strength:	IK09 (92199)
Temperature measurement range:	-5 °C to +45 °C
Ambient temperature:	-25 °C to +55 °C
Housing:	polycarbonate, UV-resistant + coated steel basket (92199) anthracite mat, similar to RAL7016 (93761)
Material color:	
Number of light sensors:	2
Number of PIR sensors:	1
KNX TP 256:	Yes
KNX Secure:	Yes
Orientation light:	5 - 100 % / OFF / 1 min - 255 min
Night light:	5 - 100 %
Brightness set value:	5 - 2000 Lux

Product information

Set : PD2N-KNXs-DX-FM + SM socle mounting set
IP54 PD2N- / PD4N-FM anthracite mat, similar to RAL7016 + Cover ring PD2N FM anthracite mat, similar to RAL7016 + Wire basket BSK (Ø 200 x 90 mm) white

KNX occupancy detector with integrated KNX bus connector

KNX Secure ready

HCL/RGB control

Parameterisation from ETS 5 for integration into KNX systems

Individual adaption of the PIR sensor sensitivity

Mixed light measurement using internal, external and remote (optional) light sensors

Intelligent semi-automatic mode, occupancy-independent regulating mode (photoelectric switch), full automatic mode

1 x light output (for regulating or switching), 1 x slave output, 3 x HVAC outputs (separately programmable)

Regulation of up to three lighting groups using offset (external influence possible)

Short presence, self-adjusting follow-up time, corridor function

Various locking functions

Soft-start

Two logic modules

Recall of light scenes

Deactivatable status indicators

Temperature- and noise sensor

The product database for import into the ETS database can be downloaded from the B.E.G. homepage.

Detection area can be extended thanks to master-slave-mode

Extensive optimization options for light measurement

Measured light value is communicated to the bus

Adaption of dimming curve

Bidirectionally remote control-capable with the IR adapter and the B.E.G. smartphone app

PIN code

IR remote control-capable via IR remote control (optionally)

5 button remote control, programmable at choice (accessory)

Programming button (phys. address) can be operated via remote control

HVAC mode (0=automatic, 1=comfort, 2=stand-by,
3=economy, 4=antifreeze/heat protection)

Manual influence via external KNX push buttons possible

Function control (heartbeat, cyclical sending)

Occupancy simulation

Forced switch-off

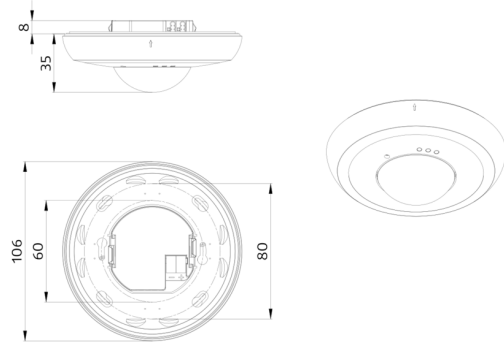
Intelligent central-off function

Premonition of switch-off

Burn-in function for fluorescent lamps selectable from 1h till
100h

Behaviour upon bus voltage return definable at choice

Variable safety pause after switching off the lights



Set items

To receive the bundle according to the technical specification, please order the items listed.



PD2N-KNXs-DX-FM

Art.No: 93513

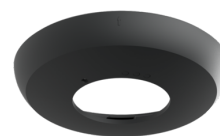
Voltage: via KNX BUS
Dimensions: Ø 106 x 42 mm
Typ. power input: 12 mA



SM socle mounting set IP54 PD2N- / PD4N-FM

Art.No: 93751

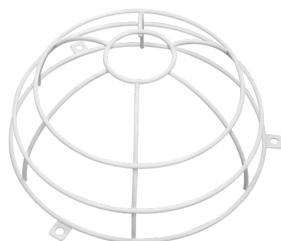
Dimensions: Ø 109 x 19 mm
Degree / class of protection: IP54
Housing: polycarbonate, UV-resistant



Cover ring PD2N FM

Art.No: 93761

Dimensions: Ø 106 x 20 mm
Impact strength: IK05
Housing: polycarbonate, UV-resistant



Wire basket BSK (Ø 200 x 90 mm)

Art.No: 92199

Dimensions: Ø 200 x 90 mm
Impact strength: IK09
Housing: coated steel basket