

B.E.G.**LUXOMAT®**

PD2-M-2C-SM Set 92150-92161

230V 2-channel PIR motion detector with 360° detection and a range of up to Ø10m (78 m²), remote-controlled

Order data

Designation	Colour	Art.No
PD2-M-2C-SM	white	92150
SM socket IP54 for PD2- / PD4-SM	white	92161

Areas of application

- corridors/hallways
- staircases
- toilets
- equipment rooms
- small offices
- open-plan offices
- conference rooms

Technical data

Voltage:	110 - 240 V AC 50 / 60 Hz
Dimensions:	Ø 98 x 47 mm
Power consumption:	approx. 0.5 W
Detection area:	horizontal 360° (Ceiling mounting) max. Ø 10 m across max. Ø 6 m towards max. Ø 4 m seated
Range:	
Monitored area (tangential movement):	78 m ² / 2.5 m mounting height
Mounting height min./max./recommended:	2 m / 5 m / 2.5 m
Degree / class of protection:	IP20 / Class II
Impact strength:	IK05
Ambient temperature:	-25 °C to +50 °C
Housing:	polycarbonate, UV-resistant
Material color:	white mat, similar to RAL9010

Channel 1 (lighting control)

Switching power:	2300 W, $\cos \varphi = 1$ 1150 VA, $\cos \varphi = 0.5$ 800 W LED max. inrush current I_p (20 ms) = 165 A max. inrush current I_p (200 μ s) = 800 A
Type of contact (k):	1x μ -contact, NO contact with tungsten pre-make contact
Follow-up time:	15 sec - 30 min, Pulse
Switch-on threshold:	10 - 2000 Lux

Channel 2 (HVAC control potential-free (dry))

Switching power:	3 A (230 V), $\cos \varphi = 1$
Type of contact:	1x μ -contact, dry NO contact
Follow-up time:	5 min - 120 min, Alarm pulse, Pulse
Light measuring:	Mixed light measuring

Product information

Set : PD2-M-2C-SM + SM socket IP54 for PD2- / PD4-SM white, similar to RAL9010

Occupancy detector with circular detection area

One channel for light switching

One additional potential-free (dry) contact for HVAC

Version as master device

Detection area can be extended by using slave devices

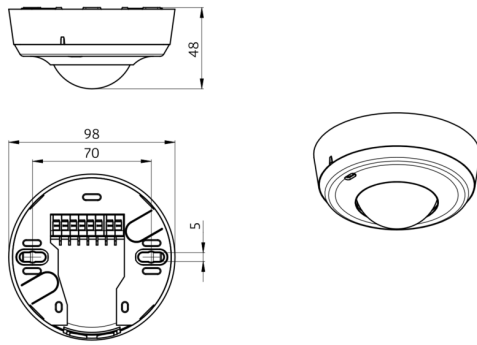
Manual switching via push-button possible

Alarm pulse: the detector triggers only when three movements are detected within 9 seconds

Additional functions can be set up using the optional remote control.

Factory settings 10 min and 500 lux (15 min HVAC)

Zero crossing switching



Set items

To receive the bundle according to the technical specification, please order the items listed.



PD2-M-2C-SM

Art.No: 92150

Voltage: 110 – 240 V AC 50 / 60 Hz

Dimensions: Ø 98 x 47 mm

Power consumption: approx. 0.5 W



SM socket IP54 for PD2- / PD4-SM

Art.No: 92161

Dimensions: Ø 100 x 15 mm

Degree / class of protection: IP54

Housing: polycarbonate, UV-resistant