

B.E.G.**LUXOMAT®**

PD2-M-2C-12-48V-3A-FC Set 92164-92199

12-48 V 2-channel PIR motion detector with 360° detection and a range of up to Ø10m (78 m²), remote-controlled

Order data

Designation	Colour	Art.No
PD2-M-2C-12-48V-3A-FC	white	92164
Wire basket BSK (Ø 200 x 90 mm)	white	92199

Areas of application

- corridors/hallways
- toilets
- equipment rooms
- small offices
- open-plan offices
- conference rooms

Technical data

Voltage:	12 – 48 V AC / DC
Dimensions:	Ø 200 x 90 mm (92199)
Power consumption:	< 1 W
Detection area:	horizontal 360° (Ceiling mounting) max. Ø 10 m across max. Ø 6 m towards max. Ø 4 m seated
Range:	
Monitored area (tangential movement):	78 m ² / 2.5 m mounting height
Mounting height min./max./recommended:	2 m / 5 m / 2.5 m
Degree / class of protection:	IP20 / Class II
Impact strength:	IK09 (92199)
Ambient temperature:	-25 °C to +50 °C
Housing:	polycarbonate, UV-resistant + coated steel basket (92199)
Material color:	white mat, similar to RAL9010

Channel 1 (lighting control, potential-free (dry))

Switching power:	3 A; cos φ = 1
Type of contact (k):	1x μ -contact, dry NO contact
Follow-up time:	15 sec – 30 min, Pulse
Brightness set value:	10 – 2000 Lux

Channel 2 (HVAC control potential-free (dry))

Switching power:	3 A; cos φ = 1
Type of contact:	1x μ -contact, dry NO contact
Follow-up time:	5 min – 120 min, Alarm pulse, Pulse
Light measuring:	Mixed light measuring

Product information

Set : PD2-M-2C-12-48V-3A-FC + Wire basket BSK (Ø 200 x 90 mm) white

Occupancy detector with operating voltage of 12-48 V

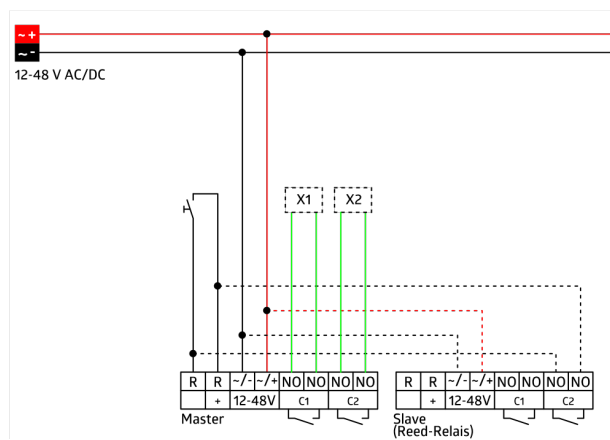
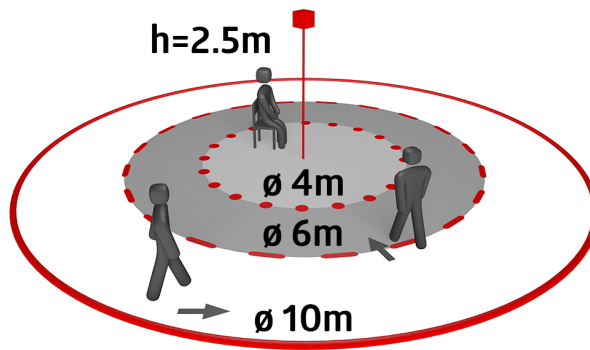
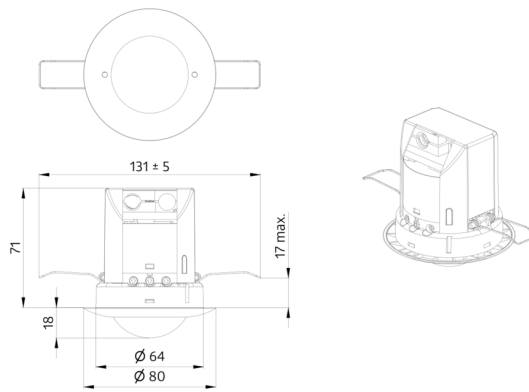
Two potential-free (dry) channels

Can be used as either Master device or Slave device

Manual switching via push-button possible

Additional functions can be set up using the optional remote control.

Factory settings 10 min and 500 lux (15 min HVAC)



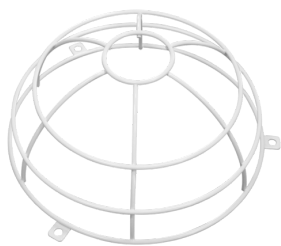
Set items

To receive the bundle according to the technical specification, please order the items listed.



PD2-M-2C-12-48V-3A-FC
Art.No: 92164

Voltage: 12 – 48 V AC / DC
Dimensions: Ø 80 x 85 mm
Power consumption: < 1 W



Wire basket BSK (Ø 200 x 90 mm)
Art.No: 92199

Dimensions: Ø 200 x 90 mm
Impact strength: IK09
Housing: coated steel basket