

B.E.G.**LUXOMAT®**

PD11-S-FLAT-FC Set 92593-92833-92537

- Voltage: 110 - 240 V AC 50 / 60 Hz
- Dimensions: $\varnothing 52 \times 60 \text{ mm} + \varnothing 104 \text{ mm}$ (92833) + $\varnothing 52 \times 3 \text{ mm}$ (92537)
- Power consumption: approx. 0.2 W

Order data

Designation	Colour	Art.No
PD11-S-FLAT-FC	white	92593
In-wall mounting set / PD11	white	92833
Cover ring PD11 (52 mm)	black	92537

Technical data

Voltage:	110 - 240 V AC 50 / 60 Hz
Dimensions:	Ø 52 x 60 mm + Ø 104 mm (92833) + Ø 52 x 3 mm (92537)
Power consumption:	approx. 0.2 W
Detection area:	horizontal 360° (Ceiling mounting) max. Ø 9 m across max. Ø 6 m towards max. Ø 3 m seated
Range:	
Monitored area (tangential movement):	63 m ² / 2.5 m mounting height
Mounting height min./max./recommended:	2 m / 5 m / 2.5 m
Degree / class of protection:	IP20 / Class II
Impact strength:	IK02
Ambient temperature:	-25 °C to +50 °C
Housing:	polycarbonate, UV-resistant
Material color:	black, similar to RAL9005 (92537)
Pulse interval:	9 sec

Product information

Set : PD11-S-FLAT-FC + In-wall mounting set / PD11
white + Cover ring PD11 (52 mm) black, similar to
RAL9005

Super flat slave device for connection to a master device

For extending the detection area of a Master device

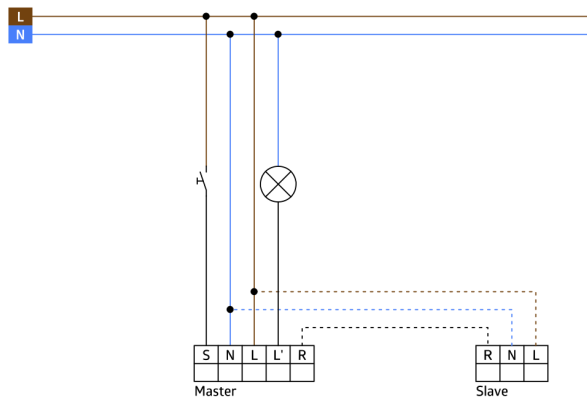
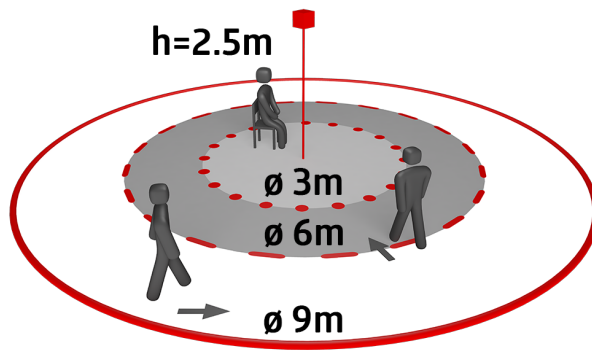
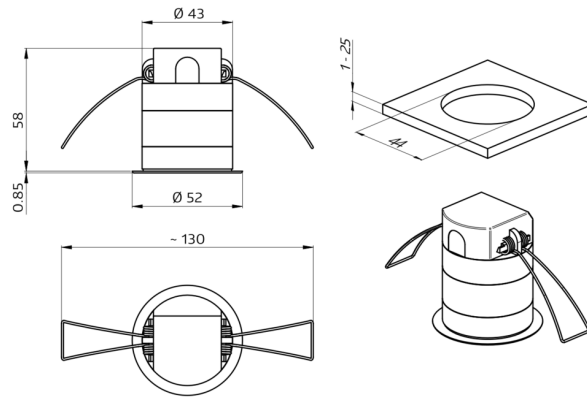
Trigger pulse to master device upon detected movement
independent of the ambient light level

Compatible with 230 V devices. Concerning exceptions please
see the respective master device.

Spring clips for quick and easy installation in suspended
ceilings

Includes blinds and clamp ring for installation into light fittings

With accessories for flush-mounting in ceiling and exposed
concrete



Set items

To receive the bundle according to the technical specification, please order the items listed.



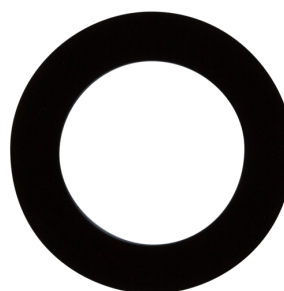
PD11-S-FLAT-FC
Art.No: 92593

Voltage: 110 – 240 V AC 50 / 60 Hz
Dimensions: Ø 52 x 60 mm
Power consumption: approx. 0.2 W



In-wall mounting set / PD11
Art.No: 92833

Dimensions: Ø 104 mm
Material color: white



Cover ring PD11 (52 mm)
Art.No: 92537

Dimensions: Ø 52 x 3 mm
Housing: polycarbonate, UV-resistant
Material color: black, similar to RAL9005