

**B.E.G.****LUXOMAT®**

## OCCULOG-1C-FC

Prod.No. 93563 EAN: 4007529935635

VOC indicator for good air quality

Traffic light function: red - ventilation mandatory, yellow - ventilation recommended, green - good air quality.

Air quality measuring method VOC or CO<sub>2</sub> equivalent

### Order data

Designation	Colour	Art.No
OCCULOG-1C-FC	white	93563

### Accessories

Designation	Colour	Art.No
Wire basket BSK (Ø 200 x 90 mm)	white	92199
RC-Arc extinction kit	white	10880
Mini-RC-Arc extinction kit		10882
BLE-IR-Adapter	black	93067

## Technical data

Voltage:	110 – 240 V AC 50 / 60 Hz
Dimensions:	Ø 83 x 86 mm
Power consumption:	approx. 1 W
Mounting height min./max./recommended:	2 m / 5 m / 2.5 m
Degree / class of protection:	IP20 / Class II
Impact strength:	IK05
Ambient temperature:	-5 °C to +45 °C
Housing:	polycarbonate, UV-resistant white mat, similar to RAL9010
Material color:	0.5 – 2.5 mm <sup>2</sup> for solid conductors
Connections and wires:	0.5 – 2.5 mm <sup>2</sup> fine-wired
Switching power:	1000 W / 6 A, cos φ = 1 800 W LED
Type of contact (k):	μ-contact, dry NO contact

## Product information

VOC indicator for good air quality

Thanks to the coloured LED display, the current air quality can be quickly recognised even from a distance by means of the LED colours.

Traffic light function: red - ventilation mandatory, yellow - ventilation recommended, green - good air quality.

Air quality measuring method VOC or CO<sub>2</sub> equivalent

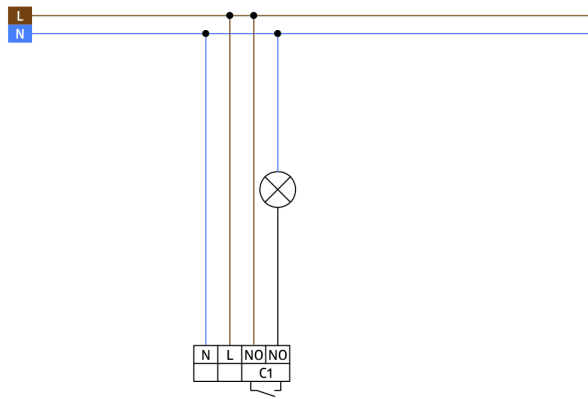
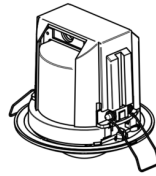
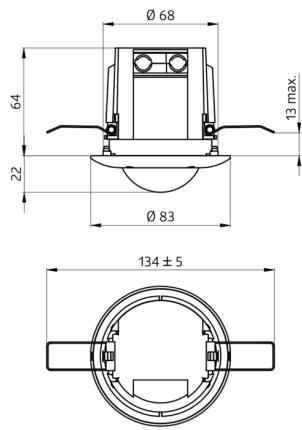
Two limit values (yellow/red) for air quality

In addition, an acoustic signal can be assigned to a limit value.

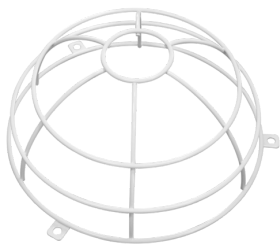
One additional potential-free (dry) contact for HVAC

The supplied 5-button remote control allows selection between three different limit value profiles.

Parameterisable via accessory BLE-IR adapter 93067



## Accessories



**Wire basket BSK (Ø 200 x 90 mm)**  
Art.No: 92199

Dimensions: Ø 200 x 90 mm  
Impact strength: IK09  
Housing: coated steel basket



**BLE-IR-Adapter**  
Art.No: 93067

Dimensions: 40 x 55 x 103 mm  
Material color: black  
Frequency: 2.4 GHz ISM band, GFSK 0.2  
dBm + 5.3 dBi = 5.5 dBm



**RC-Arc extinction kit**  
Art.No: 10880

Voltage: 230 V AC ±10%  
Dimensions: 38 x 12 x 26 mm  
Degree / class of protection: IP20  
/ Class II



**Mini-RC-Arc extinction kit**  
Art.No: 10882

Voltage: 230 V AC ±10%  
Dimensions: 50 x 23 x 8 mm  
Degree / class of protection: IP20  
/ Class II