

**B.E.G.****LUXOMAT®**

## LC-plus 280

Prod.No. 91018 EAN: 4007529910182

230V PIR outdoor motion detector with 280° detection angle and a range of up to 16 m (620 m<sup>2</sup>), remote-controlled

### Areas of application

- outdoor areas (entrances/access roads)
- parking areas
- underground car parks
- high-bay warehouse

### Order data

Designation	Colour	Art.No
LC-plus 280	brown	91018

### Accessories

Designation	Colour	Art.No
RC-Arc extinction kit	white	10880
Mini-RC-Arc extinction kit		10882
BLE-IR-Adapter	black	93067
IR-LC-plus	-	92095
IR-LC-Mini	-	92093
Wire basket BSK (Ø 164 x 143 mm)	white	92467
Pole holder with weather protection	stainless steel	93220
Wall holder with weather protection	white	93222
Wall holder with weather protection	anthracite	93221
Blinds LC-plus 280		32698

## Technical data

Voltage:	110 - 240 V AC 50 / 60 Hz
Dimensions:	110 x 68 x 78 mm
Power consumption:	approx. 0.24 W
Detection area:	horizontal 280° (Wall mounting) max. 16 m across
Range:	max. 9 m towards
Monitored area (tangential movement):	620 m <sup>2</sup> / 2.5 m mounting height
Mounting height min./max./recommended:	2 m / 3 m / 2.5 m
Degree / class of protection:	IP54 / Class II
Impact strength:	IK02
Ambient temperature:	-25 °C to +50 °C
Housing:	polycarbonate, UV-resistant
Material color:	brown mat, similar to RAL8014

### Channel 1 (lighting control)

Switching power:	2000 W, $\cos \varphi$ = 1 1000 VA, $\cos \varphi$ = 0.5 400 W LED
Type of contact (k):	1x $\mu$ -contact, NO contact
Follow-up time:	15 sec - 16 min, Pulse
Switch-on threshold:	2 - 500 Lux

## Product information

Motion detector with downward detection for gapless monitoring

Adjustable ball head

Zero crossing switching

Additional functions can be set up using the optional remote control.

Easy mounting thanks to plug-in base

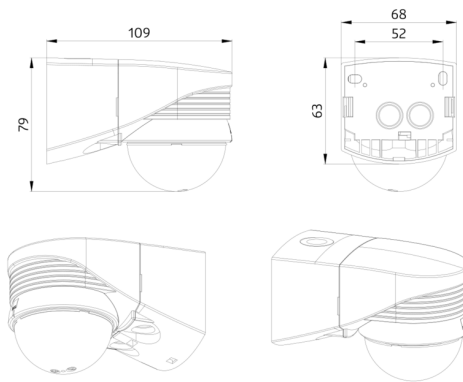
Detection area can be restricted with blinds

Special socket for external corner mounting included

Factory settings 3 min and 20 lux

### Application examples:

outdoor areas (entrances/access roads), parking areas, underground car parks, high-bay warehouse



## Accessories



**RC-Arc extinction kit**  
Art.No: 10880

Voltage: 230 V AC  $\pm 10\%$   
Dimensions: 38 x 12 x 26 mm  
Degree / class of protection: IP20 / Class II



**Mini-RC-Arc extinction kit**  
Art.No: 10882

Voltage: 230 V AC  $\pm 10\%$   
Dimensions: 50 x 23 x 8 mm  
Degree / class of protection: IP20 / Class II



**BLE-IR-Adapter**  
Art.No: 93067

Dimensions: 40 x 55 x 103 mm  
Material color: black  
Frequency: 2.4 GHz ISM band, GFSK  
0.2 dBm + 5.3 dBi = 5.5 dBm



**IR-LC-plus**  
Art.No: 92095

Battery: 3.0 V Lithium CR2032 (inclusive)  
Dimensions: 80 x 60 x 8 mm  
Material color: -



**IR-LC-Mini**  
Art.No: 92093

Battery: 3.0 V Lithium CR2032 (inclusive)  
Dimensions: 57 x 35 x 7 mm  
Material color: -



**Wire basket BSK (Ø 164 x 143 mm)**  
Art.No: 92467

Dimensions: Ø 164 x 143 mm  
Impact strength: IK09  
Housing: coated steel basket



**Pole holder with weather protection**  
Art.No: 93220

Dimensions: 188 x 98 x 134 mm  
Housing: stainless steel  
Material color: stainless steel



**Wall holder with weather protection**  
Art.No: 93222

Dimensions: 188 x 98 x 134 mm  
Material color: white



**Wall holder with weather protection**  
Art.No: 93221

Dimensions: 188 x 98 x 134 mm  
Material color: anthracite



**Blinds LC-plus 280**

Art.No: 32698

Housing: polycarbonate, UV-resistant

Material color: transparent