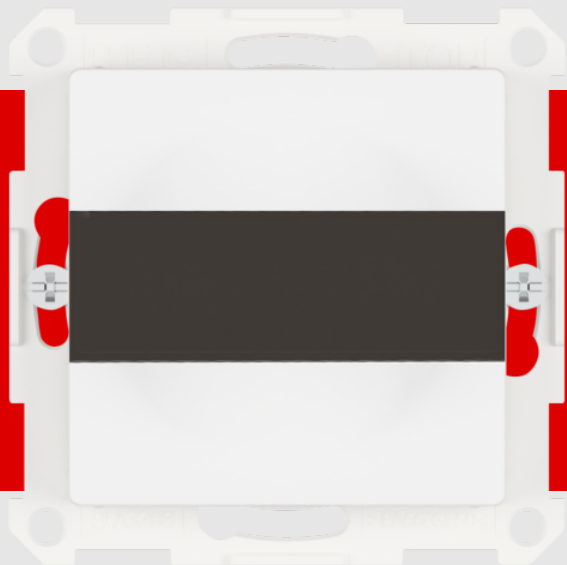


B.E.G.**LUXOMAT®**

IndoorHF-M-1C

Prod.No. 93261 EAN: 4007529932610

230V RF wall-mounted motion detector with 180° coverage and a detection area of 8x4m (32 m²), RF frequency 60 GHz

Areas of application

- entrance halls
- corridors/hallways
- staircases
- toilets
- equipment rooms

Order data

Designation	Colour	Art.No
IndoorHF-M-1C	traffic white	93261

Accessories

Designation	Colour	Art.No
BLE-IR-Adapter	black	93067

Technical data

Voltage:	230 V AC 10% 50 / 60 Hz
Dimensions:	55 x 55 x 36 mm
Power consumption:	approx. 0.2 W
Detection area:	horizontal 180° (Wall mounting) max. 8 m x 4 m across
Range:	max. 8 m x 4 m towards
Monitored area (tangential movement):	32 m ² / 1.1 m mounting height
Mounting height min./max./recommended:	1 m / 3 m / 1.1 m
Degree / class of protection:	IP20 / Class II
Impact strength:	IK05
Ambient temperature:	5 °C to +50 °C
Housing:	polycarbonate, UV-resistant traffic white
Material color:	mat, similar to RAL9016

Channel 1 (lighting control)

Switching power:	2300 W, $\cos \varphi$ = 1 1150 VA, $\cos \varphi$ = 0.5 800 W LED max. inrush current I_p (20 ms) = 165 A
Type of contact (k):	1x μ -contact, NO contact
Follow-up time:	10 sec - 30 min, Pulse
Brightness set value:	10 - 2500 Lux
Radar / HF technology:	60 GHz

Product information

Wall-mounted presence detector with HF technology

Relay version with three-wire technology

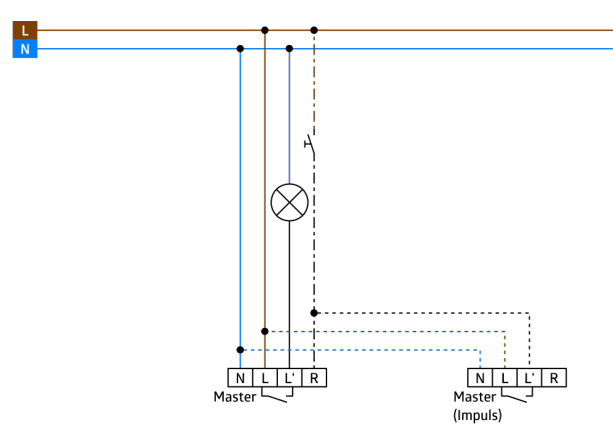
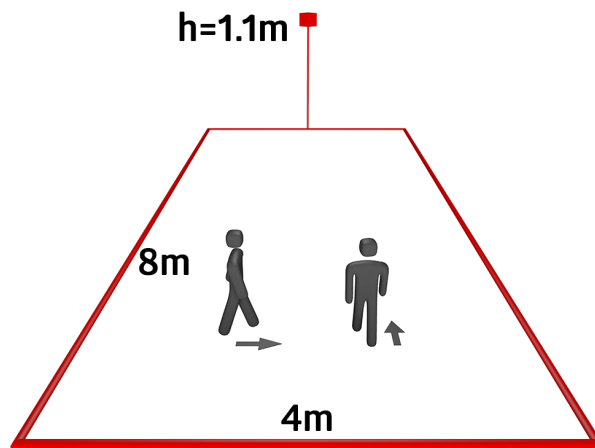
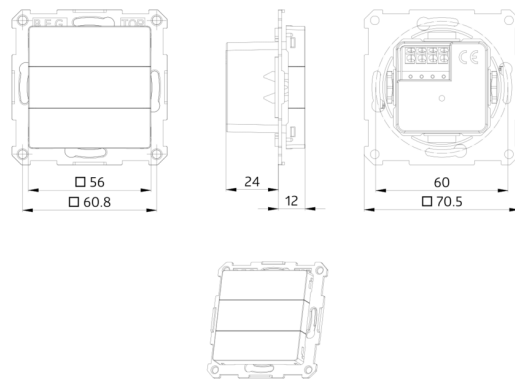
Manual switching via push-button possible

Available without frame for combination with cover frame
(inner cover dimensions 55 x 55 mm)

Factory setting 10 min follow-up time and 500 lux brightness
set value

Application examples:

entrance halls, corridors/hallways, staircases, toilets,
equipment rooms



Accessories



BLE-IR-Adapter

Art.No: 93067

Dimensions: 40 x 55 x 103 mm

Material color: black

Frequency: 2.4 GHz ISM band, GFSK 0.2 dBm + 5.3 dBi = 5.5 dBm