

Indoor 180-KNX covering not included

Prod.No. 92892 EAN: 4007529928927

KNX wall occupancy detector with integrated KNX bus connector

When using the product database B.E.G._Praesenzmelder_928xx_V5.0, the following operation modes are available:

Order data

Designation	Colour	Art.No
Indoor 180-KNX covering not included	-	92892

Accessories

Designation	Colour	Art.No
Frame IP20 Indoor 180	pure white	92630
Frame IP20 Indoor 180	traffic white	92631
Frame IP20 Indoor 180	anthracite	92634
Frame IP54 Indoor 180	pure white	92139
Frame IP20 Indoor 180	oyster white	92632
Frame IP20 Indoor 180	silver	92633
Surface mounting socket Indoor 180	pure white	92141
Central plate Indoor 180 45x45	traffic white	38947
Central plate Indoor 180 45x45	oyster white	39076

Technical data

Voltage:	via KNX BUS
Dimensions:	70 x 70 x 61 mm
Typ. power input:	7 mA
Detection area:	horizontal 180° (Wall mounting) max. 10 m across
Range:	max. 3 m towards
Monitored area (tangential movement):	150 m ² / 1.1 m mounting height
Mounting height min./max./recommended:	1 m / 2.2 m / 1.1 m
Degree / class of protection:	IP20 / Class II
Ambient temperature:	-25 °C to +55 °C
Material color:	-
Brightness set value:	5 - 1200 Lux

Product information

KNX wall occupancy detector with integrated KNX bus connector

When using the product database

B.E.G._Praesenzmelder_928xx_V5.0, the following operation modes are available: 1. Full automatic mode 2. Semi-automatic mode 3. Slave mode 4. Occupancy-independent regulating mode

When using the product database

B.E.G._Praesenzmelder_928xx_V5.0, the following operation modes are available:

1. Full automatic mode
2. Semi-automatic mode
3. Slave mode
4. Occupancy-independent regulating mode

Up to three additional switching channels – selectively either daylight-dependent or not

Set values and follow-up times can be changed for all channels using communication objects

Burn-in function with adjustable burn-in time from 1 to 100 hours

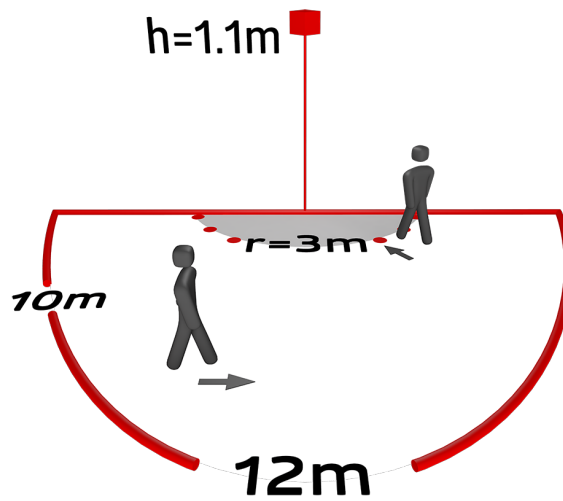
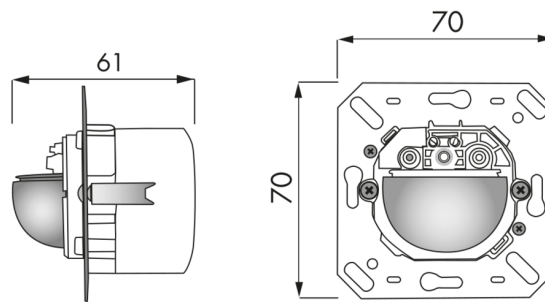
With activatable motion LED, deactivatable via ETS parameter, communication object or remote control

Settings via ETS 3 and 4

The product database for import into the ETS database can be downloaded from the B.E.G. homepage.

For use with covering (interior cover dimensions 50 x 50 mm) in 5 different colours

Application examples: monitoring of public lavatories, corridors, archive rooms, conference rooms

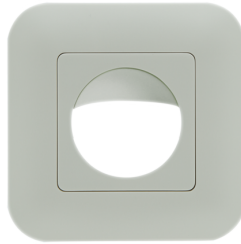


Accessories



Frame IP20 Indoor 180
Art.No: 92630

Dimensions: 86 x 86 mm
Degree / class of protection: IP20
Housing: polycarbonate, UV-resistant



Frame IP20 Indoor 180
Art.No: 92631

Dimensions: 86 x 86 mm
Degree / class of protection: IP20
Housing: polycarbonate, UV-resistant



Frame IP20 Indoor 180
Art.No: 92634

Dimensions: 86 x 86 mm
Degree / class of protection: IP20
Housing: polycarbonate, UV-resistant



Frame IP54 Indoor 180
Art.No: 92139

Dimensions: 87 x 87 mm
Degree / class of protection: IP54
Housing: polycarbonate, UV-resistant



Frame IP20 Indoor 180
Art.No: 92632

Dimensions: 86 x 86 mm
Degree / class of protection: IP20
Housing: polycarbonate, UV-resistant



Frame IP20 Indoor 180
Art.No: 92633

Dimensions: 86 x 86 mm
Degree / class of protection: IP20
Housing: polycarbonate, UV-resistant



Surface mounting socket Indoor 180
Art.No: 92141

Dimensions: 88 x 88 x 42 mm
Degree / class of protection: IP54
Impact strength: IK05



Central plate Indoor 180 45x45
Art.No: 38947

Dimensions: 45 x 45 mm
Material color: traffic white mat, similar to RAL9016



Central plate Indoor 180 45x45
Art.No: 39076

Dimensions: 45 x 45 mm
Housing: polycarbonate, UV-resistant
Material color: oyster white mat, similar to RAL1013