

B.E.G.**LUXOMAT®**

Indoor 140-L covering included

Prod.No. 94327 EAN: 4007529943272

- Voltage: 110 - 240 V AC 50 / 60 Hz
- Dimensions: 88 x 88 x 30 mm
- Power consumption: approx. 0.4 W /
approx. 0.8 W with nightlight

Order data

Designation	Colour	Art.No
Indoor 140-L covering included	white	94327

Accessories

Designation	Colour	Art.No
RC-Arc extinction kit	white	10880
Mini-RC-Arc extinction kit		10882

Technical data

Voltage:	110 – 240 V AC 50 / 60 Hz
Dimensions:	88 x 88 x 30 mm
Power consumption:	approx. 0.4 W / approx. 0.8 W with nightlight
Detection area:	horizontal 120° (Wall mounting)
Range:	max. 8 m across max. 3 m towards
Monitored area (tangential movement):	67 m ² / 1.1 m mounting height
Mounting height min./max./recommended:	1 m / 1.2 m / 1.1 m
Degree / class of protection:	IP20 / Class II
Ambient temperature:	-25 °C to +50 °C
Housing:	polycarbonate, UV-resistant
Material color:	white glossy, similar to RAL9010

Channel 1 (lighting control)

Switching power:	2000 W, cos φ = 1 1000 VA, cos φ = 0.5 300 W LED max. inrush current I_p (20 ms) = 165 A max. inrush current I_p (20 μ s) = 800 A
Type of contact (k):	1x μ -contact, NO contact with tungsten pre- make contact
Follow-up time:	15 sec – 30 min
Orientation light:	0 – 100 % / OFF / 15 s – 30 min
Night light:	0 – 100 %
Switch-on threshold:	10 – 2000 Lux

Product information

Wall-mounted occupancy detector with integrated pushbutton

One channel for switching light (selectively main light or orientation light)

Integrated downlight with the function of an orientation or a night light

Extension of the detection range possible by using up to 5 other Indoor 140-L

Can be used as either Master device or Slave device

Relay with tungsten pre-make contact, optimised for LED loads

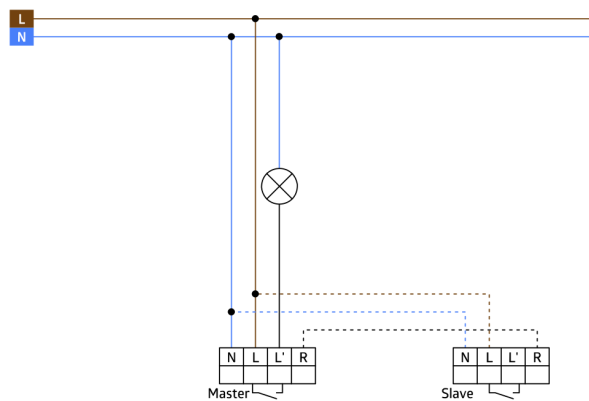
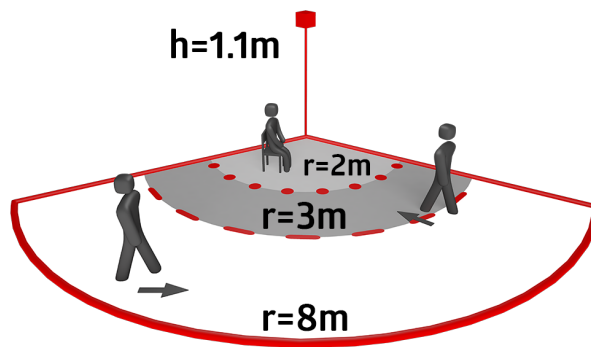
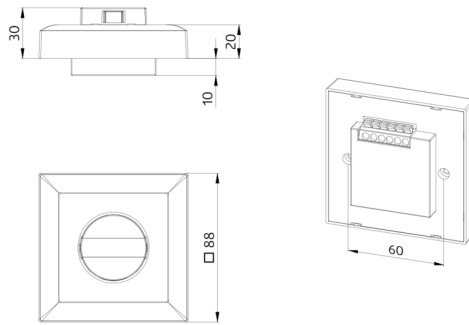
Available with covering (centre plate dimensions 60 x 60 mm) or without covering for use with covering (centre plate dimensions 50 x 50 mm) in 4 different colours

Please order coverings for EU version separately; available in various colours

In combination with centre plates usable with current frame systems of various manufacturers

B.E.G. frames and centre plates for combination with other frame systems available

Application examples: hotel corridors, bedrooms, rest homes



Accessories



RC-Arc extinction kit

Art.No: 10880

Voltage: 230 V AC $\pm 10\%$

Dimensions: 38 x 12 x 26 mm

Degree / class of protection: IP20 / Class II



Mini-RC-Arc extinction kit

Art.No: 10882

Voltage: 230 V AC $\pm 10\%$

Dimensions: 50 x 23 x 8 mm

Degree / class of protection: IP20 / Class II