

B.E.G.

LUXOMAT®



IR-PD-Mini

Prod.No. 92159 EAN: 4007529921591

Mini remote control for end user

Mobile switch for switching the light on and off

Ring for attachment with your keys included

Order data

Designation	Colour	Art.No
IR-PD-Mini	-	92159

Accessories

Designation	Colour	Art.No
Wall holder IR-RC	white	92100

Technical data

Battery:	3.0 V Lithium CR2032 (inclusive)
Dimensions:	57 x 35 x 7 mm
Material color:	-
Transmit range:	clouded/dark: max. 5 to 6 m sunshine: max. 2 to 3 m

Product information

Mini remote control for end user

Mobile switch for switching the light on and off

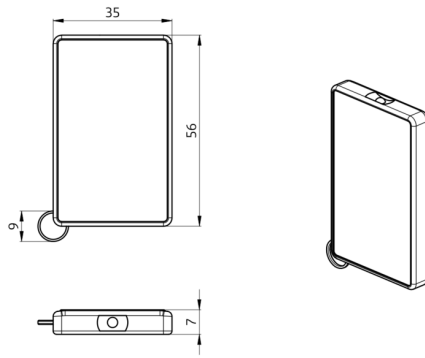
Ring for attachment with your keys included

Easy programming of the following motion and occupancy detectors:

- AL60-LEDN-PD9M
- Indoor 180-M-2C
- PD1N-M-2C -SM/-FC/-FM
- PD2N-M-1C-LED-FC
- PD3N-1C -SM/-FC/-FM, -NO-PF-FC
- PD3N-1C -SM/-FC Micro
- PD3N-2C -FC/-FM
- PD4N-1C -SM/-FC/-FM
- PD4N-1C-C -SM/-FC
- PD2-M-1C -SM/-FC/-FM
- PD2-M-2C -SM/-FC/-FM
- PD2-M-2C-11-48V-3A,-RR -SM/-FC
- PD4-M-1C -SM/-FC/-FM
- PD4-M-1C-C -SM/-FC
- PD4-M-1C-C-PS -SM/-FC
- PD4-M-2C -SM/-FC/-FM
- PD4-M-2C-DS-FC
- PD4-M-2C-C -SM/-FC/-FM
- PD4-M-TRIO-C-3P-FC/SM
- PD5-M-1C-Clip
- PD9-M-1C-FC
- PD9-M-1C-SDB-IP65-FC
- PD9-M-2C-FC
- PD11-M-1C-FLAT-FC

The functions of the remote control are described with the respective device

Suitable for: 92136, 92140, 92143, 92144, 92148, 92149, 92150, 92151, 92154, 92155, 92164, 92165, 92184, 92186, 92188, 92190, 92196, 92198, 92219, 92255, 92270, 92274, 92305, 92306, 92440, 92443, 92480, 92485, 92550, 92555, 92565, 92575, 92576, 92580, 92583, 92585, 92586, 92587, 92661, 92746, 92747, 92760, 92761, 92900, 92912, 92913, 92923, 92931, 92947, 93092, 93093, 93159, 94055, ...



Accessories



Wall holder IR-RC

Art.No: 92100

Dimensions: 63 x 30 x 19 mm

Housing: polycarbonate, UV-resistant

Material color: white