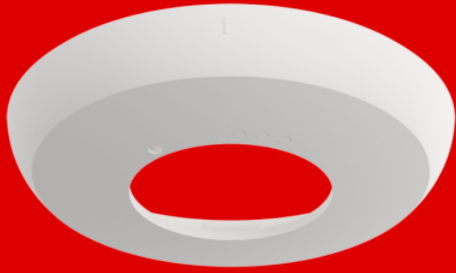


**B.E.G.****LUXOMAT®**

## Cover ring PD2N FM

Prod.No. 93760 EAN: 4007529937608

Cover ring for colour matching

For usability/compatibility of the accessories please refer to the descriptions of the main articles

### Order data

Designation	Colour	Art.No
Cover ring PD2N FM	white	93760

### Accessories

Designation	Colour	Art.No
Adapter ring PD2N FM		93089

## Technical data

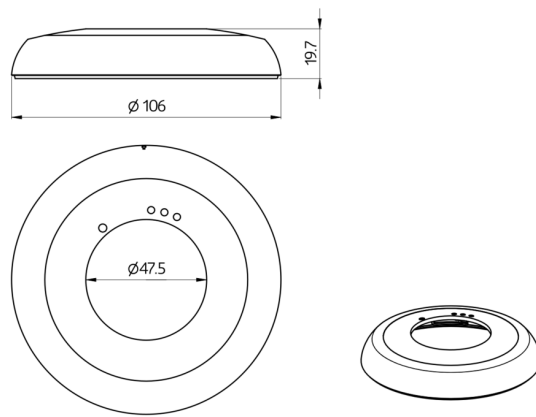
Dimensions: Ø 106 x 20 mm  
Impact strength: IK05  
Housing: polycarbonate, UV-resistant  
Material color: white mat, similar to RAL9010

## Product information

Cover ring for colour matching

For usability/compatibility of the accessories please refer to the descriptions of the main articles

Suitable for: 93240, 93351, 93361, 93368, 93383, 93452, 93455, 93476, 93477, 93511, 93513, 93534, 93544, 93580, ...



## Accessories



### **Adapter ring PD2N FM**

Art.No: 93089

Dimensions: Ø 101 x 10 mm

Housing: polycarbonate, UV-resistant

Material color: white mat, similar to RAL9010