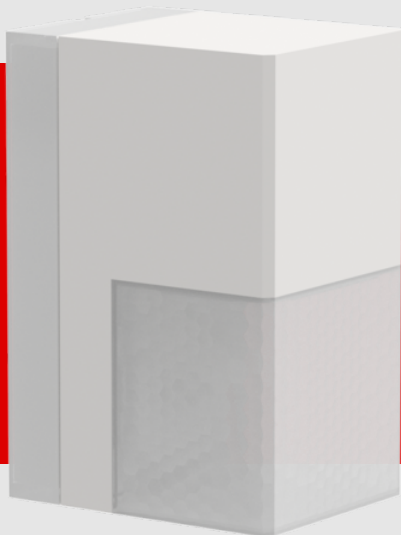


**B.E.G.**

**LUXOMAT®**



## Aleum Glow WB Set 93132-92467

- Voltage: 230 V AC  $\pm 10\%$  50 / 60 Hz
- Dimensions: **Ø 164 x 143 mm (92467)**
- Settings: B.E.G. App "B.E.G. One" / "B.E.G. MyControl" (Bluetooth)

### Order data

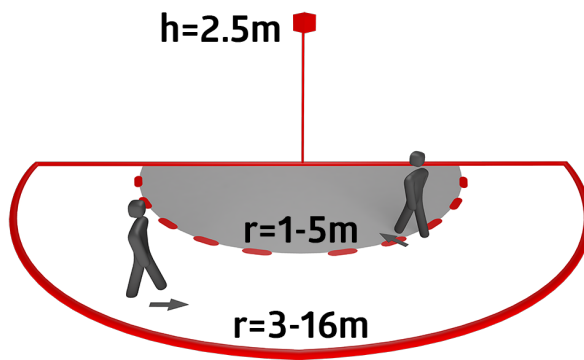
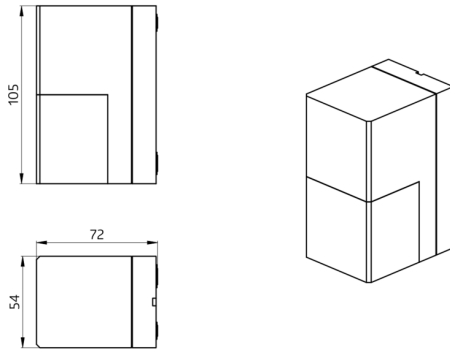
Designation	Colour	Art.No
Aleum Glow WB	white	93132
Wire basket BSK (Ø 164 x 143 mm)	white	92467

## Technical data

Voltage:	230 V AC $\pm$ 10% 50 / 60 Hz
Dimensions:	<b>Ø 164 x 143 mm (92467)</b>
Settings:	B.E.G. App "B.E.G. One" / "B.E.G. MyControl" (Bluetooth)
Power consumption:	approx. 0.5 W
Detection area:	horizontal 180° (Wall mounting) max. 16 m across max. 5 m towards
Range:	max. 3 m anti- creep protection
Monitored area (tangential movement):	400 m <sup>2</sup> / 2.5 m mounting height
Mounting height min./max./recommended:	2 m / 4 m / 2.5 m
Degree / class of protection:	IP54 / Class II
Impact strength:	<b>IK09 (92467)</b>
Ambient temperature:	-25 °C to +50 °C
Housing:	<b>polycarbonate, UV-resistant + coated steel basket (92467)</b>
Material color:	white mat, similar to RAL9010
Connections and wires:	for solid conductors 0.5 - 2.5 mm <sup>2</sup>
<b>Channel 1 (lighting control)</b>	
Switching power:	2300 W, $\cos \varphi =$ 1 1150 VA, $\cos \varphi$ = 0.5 800 W LED max. inrush current $I_p$ (20 ms) = 165 A max. inrush current $I_p$ (200 $\mu$ s) = 800 A
Type of contact (k):	1x $\mu$ -contact, NO contact with tungsten pre- make contact
Follow-up time:	10 sec - 30 min, Pulse
Ambient light:	0 - 100 % / 10 s - 6 h / 16 colours
Switch-on threshold:	10 - 2500 Lux

## Product information

Set : Aleum Glow WB + Wire basket BSK (Ø 164 x  
143 mm) white

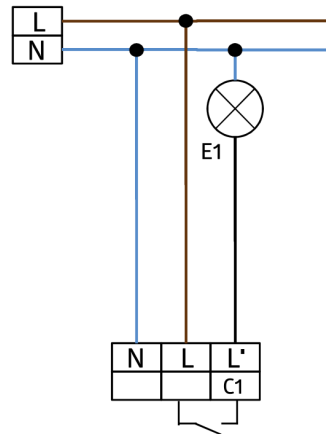




B.E.G. MyControl



B.E.G. One App



## Set items

To receive the bundle according to the technical specification, please order the items listed.



### **Aleum Glow WB**

Art.No: 93132

Voltage: 230 V AC  $\pm 10\%$  50 / 60 Hz

Dimensions: 105 x 54 x 71 mm

Settings: B.E.G. App "B.E.G. One" / "B.E.G. MyControl" (Bluetooth)



### **Wire basket BSK (Ø 164 x 143 mm)**

Art.No: 92467

Dimensions: Ø 164 x 143 mm

Impact strength: IK09

Housing: coated steel basket