



AL8-25-300-LEDN-HF

Prod.No. 93631 EAN: 4007529936311

- Voltage: 200 - 240 V AC 50 Hz
- Dimensions: Ø 300 x 50 mm
- Colour temperature: 4000 K

Areas of application

- equipment rooms
- corridors/hallways
- staircases
- toilets
- entrance halls
- plumbed rooms/bathrooms

Order data

Designation	Colour	Art.No
AL8-25-300-LEDN-HF	white	93631

Accessories

Designation	Colour	Art.No
Protection ring AL8	white	93014

Technical data

Voltage:	200 - 240 V AC 50 Hz
Dimensions:	Ø 300 x 50 mm
Colour temperature:	4000 K
Luminous flux / intensity:	2500 lm
Anti-glare:	UGR < 25
Efficiency:	100 lm/W
Photobiological safety:	RG 0
Colour reproduction:	CRI > 80 / TM30: 82
Rated life time:	50000 h (L80/B10)
Power consumption:	25 W / PF 0.9
Degree / class of protection:	IP20 / Class II
Flammability rating:	UL-94 V2, 750°C
Impact strength:	IK10
Ambient temperature:	-20 °C to +45 °C
Housing:	polycarbonate, UV-resistant
Material color:	white, similar to RAL9016

Microwave detector

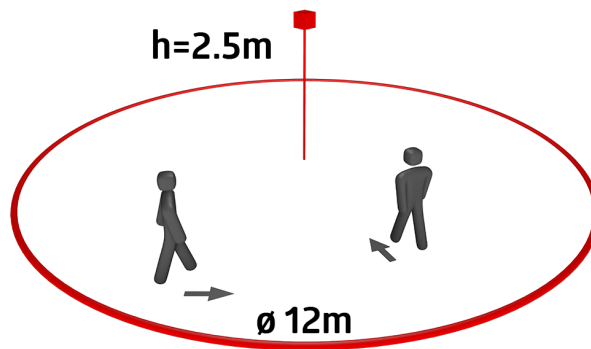
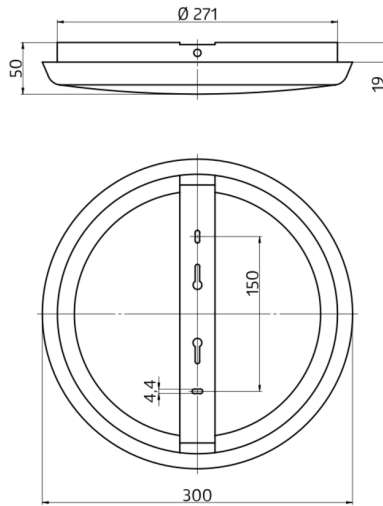
Radar / HF technology:	5.8 GHz, < 0.5 mW
Detection area:	horizontal 360° (Ceiling mounting) Ø null - 12 m
Range:	max. Ø 14 m towards
Follow-up time:	20 sec - 10 min
Switch-on threshold:	inactive / 5 - 50 Lux

Product information

- Flat round LED luminaires for wall or ceiling mounting
- Energy efficient light with long service life > 50,000 hours
- Broad light distribution using diffused light covers
- Integrated microwave sensor, not externally visible, wide detection range
- HF technology: 5.8 GHz - reacts to the smallest motion, independently of temperature
- DIP switches to set follow-up time, switch-on threshold and sensor sensitivity
- Sturdy plastic case made of polycarbonate
- high fire protection rating
- Simple mounting with separate mounting bracket

Application examples:

equipment rooms, corridors/hallways, staircases, toilets, entrance halls, plumbed rooms/bathrooms



Accessories



Protection ring AL8

Art.No: 93014

Dimensions: Ø 305 x 19 mm

Material color: white