

Microwave detectors - Motion detector

HF-MD2



white mat, similar to
RAL9010, Part No. 94402

Product Information

- Microwave motion detector, designed for surface mount
- Temperature-independent detection
- Detection can be made through various materials
- Range, switch-on threshold and follow-up time set via potentiometers
- **Typical applications:**
especially for uses without direct contact (can also detect through walls)

Technical Data

Voltage:	230 V AC +/- 10% 50 / 60 Hz
Dimensions:	Ø 117 x 45 mm
Power consumption:	approx. 1.2 W
Detection area:	vertical 360°
Range:	Ø 0.4 - 16 m
Monitored area (tangential movement):	200 m ² / 2.5 m mounting height
Mounting height min./max./recommended:	1 m / 4 m / 2.5 m
Degree / class of protection:	IP20 / Class II

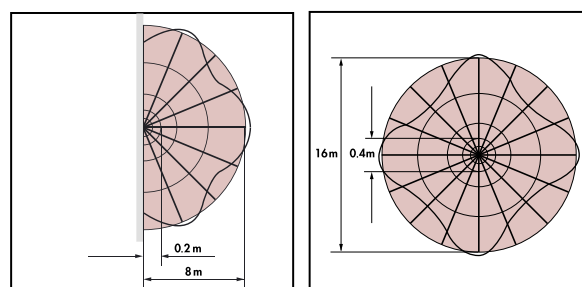
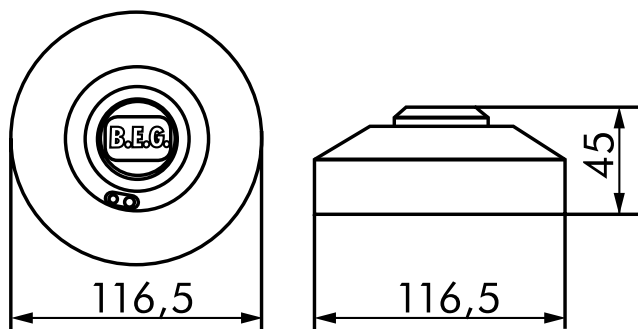
Ambient temperature:	-15 °C to +50 °C
Housing:	Polycarbonate, UV-resistant
Channel 1 (lighting control)	
Switching power:	1200 W, $\cos \varphi = 1$ max. inrush current IP (20 ms) = 120 A
Type of contact:	1x μ -contact, NO contact
Follow-up time:	5 sec - 15 min
Switch-on threshold:	2 - 2000 Lux
Radar / HF technology:	5.8 GHz, <10 mW

Description

Description	Colour	Part number	EAN number
HF-MD2-SM	white mat, similar to RAL9010	94402	4007529944026

Accessory

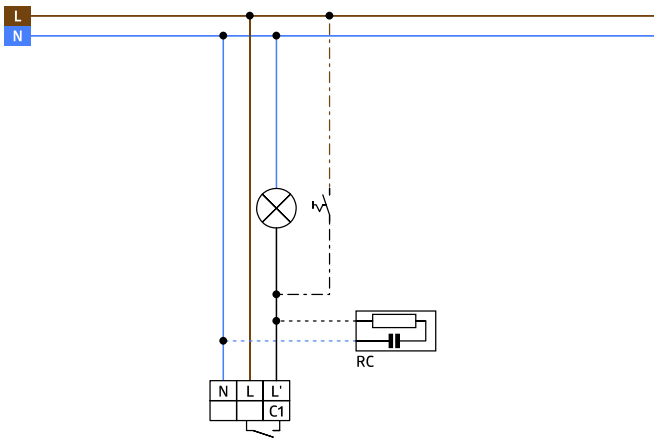
Description	Colour	Part number	EAN number
Wire basket BSK (Ø 200 x 90 mm)	white	92199	4007529921997
RC-Arc extinction kit	white	10880	4007529108800
Mini-RC-Arc extinction kit	black	10882	4007529108824



Dimensions 94402

Range diagram

1: Walking across or towards.
The range depends on size and speed of the object.



Wiring diagrams

© 2020 B.E.G. Brück Electronic GmbH