

## Ceiling mounted occupancy detectors - Slave devices

### PD4-S-GH



white mat, similar to  
RAL9010 , Part No. 92265

#### Product Information

- Slave device for high-bay applications
- For extending the detection area of a Master device
- Trigger pulse to master device upon detected movement independent of the ambient light level
- Compatible with 230 V devices. Concerning exceptions please see the respective master device.
- There are markings to ensure correct alignment during installation
- **When used in high-bay warehouses, care should be taken that, in the cross-aisles of the warehouse, detectors are installed that can detect movement only in the desired aisle locations, by using blinds or other technical arrangements.**
- **Application examples:**  
monitoring of warehouses, high-bay storages, where a large mounting height is given

#### Technical Data

<b>Voltage:</b>	110 - 240 V AC 50 / 60 Hz
<b>Dimensions:</b>	Ø 101 x 76 mm
<b>Power consumption:</b>	approx. 0.2 W
<b>Detection area:</b>	horizontal 360° oval (Ceiling mounting)
<b>Range:</b>	30 m x 19 m
<b>Monitored area (tangential movement):</b>	440 m <sup>2</sup> / 14 m mounting height
<b>Mounting height</b>	

**min./max./recommended:** 5 m / 16 m / 14 m

**Degree / class of protection:** IP54 / Class II

**Ambient temperature:** -25 °C to +50 °C

**Housing:** polycarbonate, UV-resistant

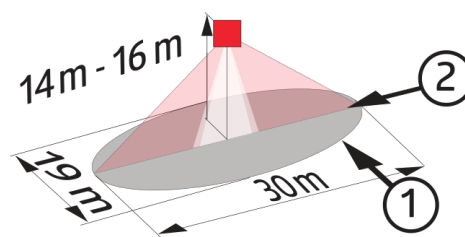
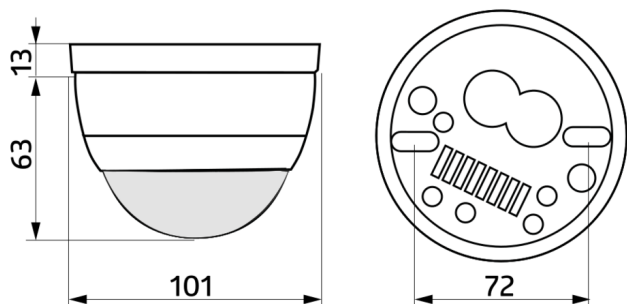
**Pulse interval:** 2 or 9 sec

## Description

Description	Colour	Part number	EAN number
PD4-S-GH-SM	white mat, similar to RAL9010	92265	4007529922659

## Accessory

Description	Colour	Part number	EAN number
Wire basket BSK (Ø 200 x 90 mm)	white	92199	4007529921997
Surface mounting socket (IP65) PD4-SM IP54	white	92376	4007529923762



Dimensions 92265

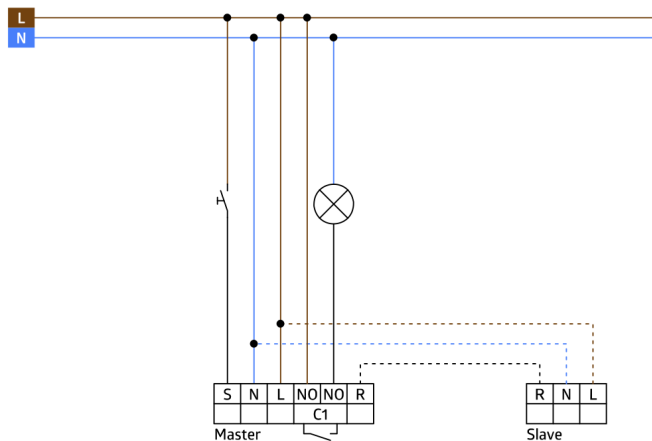
### Range diagram

- 1: Walking across
- 2: Walking towards



Range diagram

- 1: Walking across
- 2: Walking towards



Wiring diagram

---

© 2021 B.E.G. Brück Electronic GmbH