

## Ceiling mounted occupancy detectors - Slave devices

## PD2-S



white mat, similar to  
RAL9010 , Part No. 92152



white mat, similar to  
RAL9010 , Part No. 92156



white mat, similar to  
RAL9010 , Part No. 92166

## Product Information

- Slave device detector with circular detection area
- For extending the detection area of a Master device
- Trigger pulse to master device upon detected movement independent of the ambient light level
- Compatible with 230 V devices. Concerning exceptions please see the respective master device.
- **Typical applications:**  
Offices, conference rooms, schools, nursery schools, hospitals

## Technical Data

<b>Voltage:</b>	110 - 240 V AC 50 / 60 Hz
<b>Dimensions:</b>	SM= Ø 98 x 50 mm FM= Ø 98 x 65 mm FC= Ø 80 x 85 mm
<b>Power consumption:</b>	approx. 0.2 W
<b>Detection area:</b>	horizontal 360° (Ceiling mounting)
<b>Range:</b>	max. Ø 10 m across max. Ø 6 m towards max. Ø 4 m seated
<b>Monitored area (tangential movement):</b>	78 m <sup>2</sup> / 2.5 m mounting height
<b>Mounting height</b>	2 m / 5 m / 2.5 m

**min./max./recommended:**

**Degree / class of protection:** SM= IP20 / Class II  
FM= IP20 / Class II  
FC= IP20 / Class II

**Ambient temperature:** -25 °C to +50 °C

**Housing:** polycarbonate, UV-resistant

**Pulse interval:** 2 or 9 sec

---

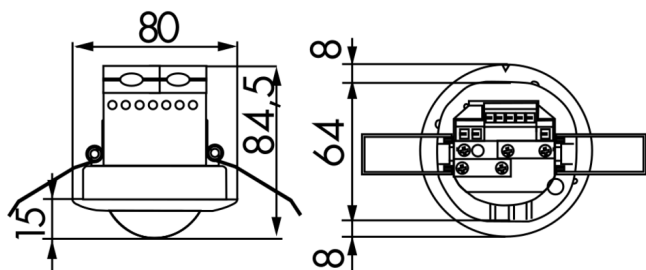
## Description

Description	Colour	Part number	EAN number
PD2-S-SM	white mat, similar to RAL9010	92152	4007529921522
PD2-S-FM	white mat, similar to RAL9010	92156	4007529921560
PD2-S-FC	white mat, similar to RAL9010	92166	4007529921669

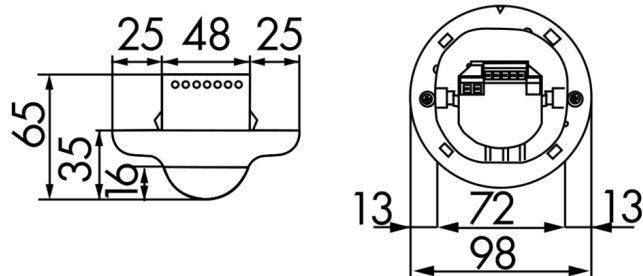
---

## Accessory

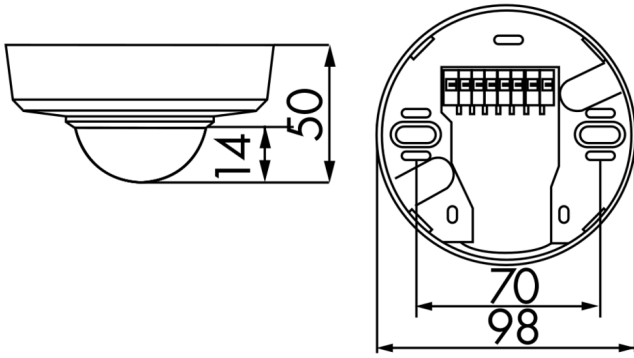
Description	Colour	Part number	EAN number
Wire basket BSK (Ø 200 x 90 mm)	white	92199	4007529921997
SM socket IP54 for PD2- / PD4- white SM	white	92161	4007529921614



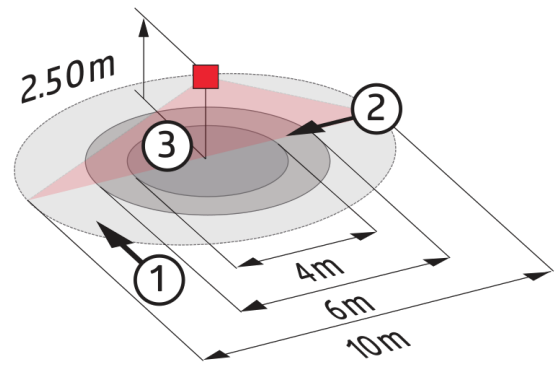
Dimensions 92166



Dimensions 92156

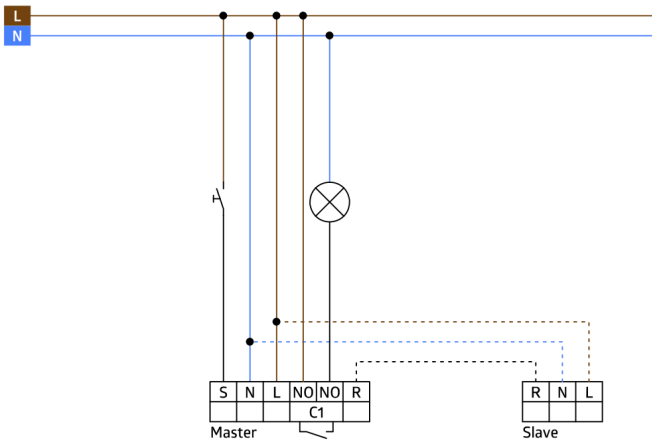


Dimensions 92152



Range diagram

- 1: Walking across
- 2: Walking towards
- 3: Seated activity



Wiring diagram