

Ceiling mounted occupancy detectors - 2-channel

PD4-M-2C



white mat, similar to
RAL9010 , Part No. 92140



white mat, similar to
RAL9010 , Part No. 92148



white mat, similar to
RAL9010 , Part No. 92255

Product Information

- Occupancy detector with extended detection area
- One channel for light switching
- One additional potential-free (dry) contact for HVAC
- Version as master device
- Detection area can be extended with slave devices
- Manual switching via push-button possible
- Additional functions can be set up using the optional remote control.
- Alarm pulse: the detector triggers only when three movements are detected within 9 seconds
- Factory settings 10 min and 500 lux (15 min HVAC)
- Zero crossing switching
- **Application examples:**
open-plan offices, conference rooms, classrooms/seminar rooms, underground car parks, entrance halls, corridors/hallways, sports halls/ storage rooms

Technical Data

Voltage:	110 - 240 V AC 50 / 60 Hz
Dimensions:	FM= Ø 104 x 70 mm FC= Ø 97 x 103 mm SM= Ø 101 x 76 mm
Power consumption:	approx. 0.5 W
Detection area:	horizontal 360° (Ceiling mounting)

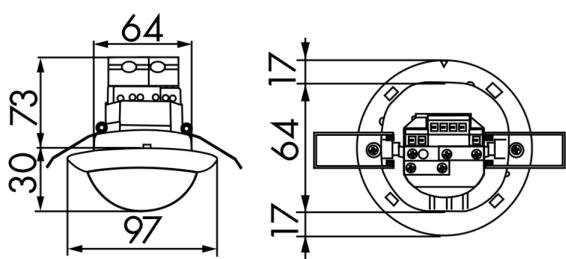
Range:	max. Ø 24 m across max. Ø 8 m towards max. Ø 6.4 m seated
Monitored area (tangential movement):	450 m ² / 2.5 m mounting height
Mounting height min./max./recommended:	2 m / 10 m / 2.5 m
Degree / class of protection:	FM= IP20 / Class II FC= IP20 / Class II SM= IP54 / Class II
Impact strength:	IK04
Ambient temperature:	-25 °C to +50 °C
Housing:	polycarbonate, UV-resistant
Channel 1 (lighting control)	
Switching power:	2300 W, cos φ = 1 1150 VA, cos φ = 0.5 300 W LED max. inrush current I _p (20 ms) = 165 A max. inrush current I _p (200 μs) = 800 A
Type of contact:	1x μ-contact, NO contact with tungsten pre-make contact
Follow-up time:	15 sec - 30 min, Pulse
Switch-on threshold:	10 - 2000 Lux
Channel 2 (HVAC control potential-free (dry))	
Switching power:	3 A (230 V), cos φ = 1
Type of contact:	1x dry NO contact
Follow-up time:	5 min - 120 min, Alarm pulse, Pulse Mixed light measuring

Description

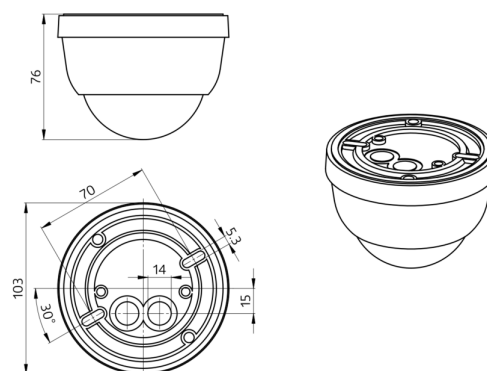
Description	Colour	Part number	EAN number
PD4-M-2C-SM	white mat, similar to RAL9010	92140	4007529921409
PD4-M-2C-FC	white mat, similar to RAL9010	92148	4007529921485
PD4-M-2C-FM	white mat, similar to RAL9010	92255	4007529922550

Accessory

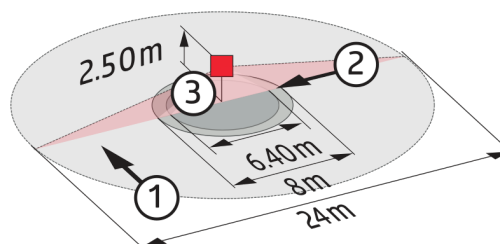
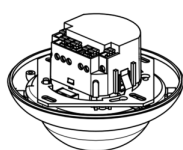
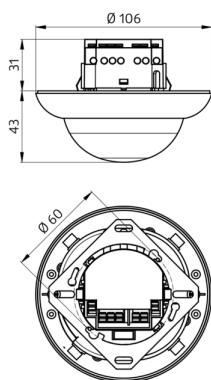
Description	Colour	Part number	EAN number
BLE-IR-Adapter	black	93067	4007529930678
IR-PD-2C	-	92475	4007529924752
IR-PD-Mini	-	92159	4007529921591
Wire basket BSK (Ø 200 x 90 mm)	white	92199	4007529921997
RC-Arc extinction kit	white	10880	4007529108800
Mini-RC-Arc extinction kit	black	10882	4007529108824
Surface mounting socket (IP65) PD4-SM IP54	white	92376	4007529923762
Square design frame PD4-FC	pure white mat, similar to RAL9010	92992	4007529929924



Dimensions 92148



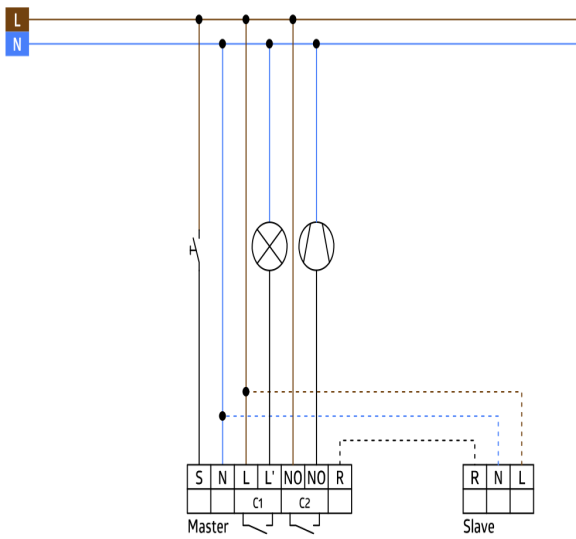
Dimensions 92140



Dimensions 92255

Range diagram

- 1: Walking across
- 2: Walking towards
- 3: Seated activity



Wiring diagrams

© 2023 B.E.G. Brück Electronic GmbH