

Ceiling mounted occupancy detectors - 1-channel

PD4-M-1C-GH



white mat, similar to
RAL9010 , Part No. 92245

Product Information

- Occupancy detector designed for high-bay warehouses
- One potential-free (dry) switching contact
- Version as master device
- Detection area can be extended with slave devices
- **Easy operation with remote control (required)**
- Manual switching via push-button possible
- There are markings to ensure correct alignment during installation
- **When used in high-bay warehouses, care should be taken that, in the cross-aisles of the warehouse, detectors are installed that can detect movement only in the desired aisle locations, by using blinds or other technical arrangements.**
- Factory settings 3 min and 1000 lux
- **Application examples:**
high-bay warehouse, sports halls/ storage rooms

Technical Data

Voltage:	110 - 240 V AC 50 / 60 Hz
Dimensions:	Ø 98 x 63 mm
Power consumption:	approx. 0.5 W
Detection area:	horizontal 360° oval (Ceiling mounting)
Range:	30 m x 19 m

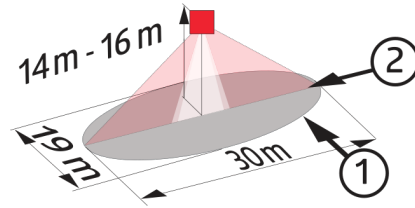
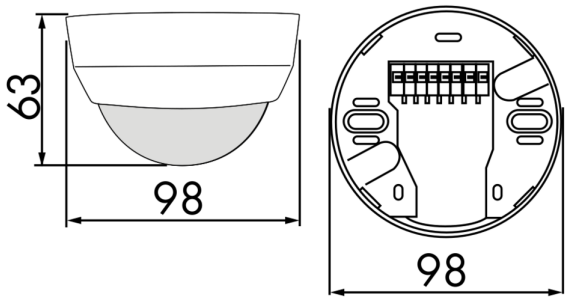
Monitored area (tangential movement):	440 m ² / 14 m mounting height
Mounting height min./max./recommended:	5 m / 16 m / 14 m
Degree / class of protection:	IP20 / Class II
Impact strength:	IK04
Ambient temperature:	-25 °C to +50 °C
Housing:	polycarbonate, UV-resistant
Channel 1 (lighting control, potential-free (dry))	
Switching power:	2300 W, cos φ = 1 1150 VA, cos φ = 0.5 300 W LED max. inrush current I _p (20 ms) = 165 A max. inrush current I _p (200 μ s) = 800 A
Type of contact:	1x μ -contact, dry NO contact with tungsten pre-make contact
Follow-up time:	15 sec - 30 min, Pulse
Switch-on threshold:	20 - 2000 Lux Mixed light measuring

Description

Description	Colour	Part number	EAN number
PD4-M-1C-GH-SM	white mat, similar to RAL9010	92245	4007529922451

Accessory

Description	Colour	Part number	EAN number
IR-Adapter for Smartphones	black	92726	4007529927265
IR-PD-LD	-	92479	4007529924790
Wire basket BSK (\varnothing 200 x 90 mm)	white	92199	4007529921997
RC-Arc extinction kit	white	10880	4007529108800
Mini-RC-Arc extinction kit	black	10882	4007529108824
Surface mounting socket (IP65) for PD4-SM IP20	white	92375	4007529923755
SM socket IP54 for PD2- / PD4-SM	white	92161	4007529921614
BLE-IR-Adapter	black	93067	4007529930678



Dimensions 92245

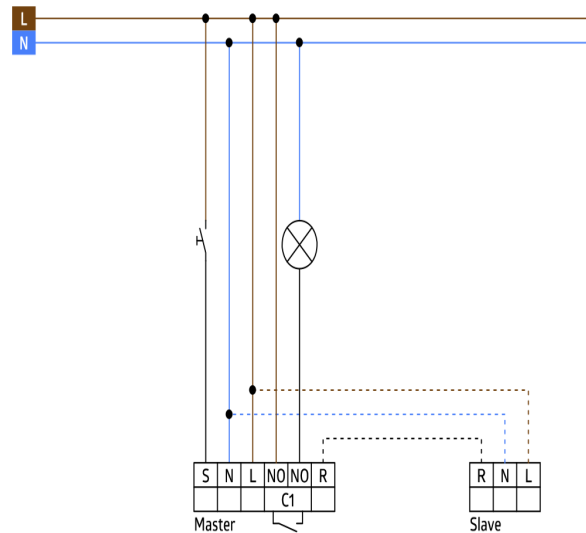
Range diagram

- 1: Walking across
- 2: Walking towards



Range diagram

- 1: Walking across
- 2: Walking towards



Wiring diagrams