

B.E.G.**LUXOMAT[®]net**

STARTERSET-DALI-LINK-SMALL-OFFICE

Prod.No. 93840 EAN: 4007529938407

- Voltage: 110 - 277 V AC
- Output voltage: 16 V DC (DALI, typical)
- Scope of delivery: PS-DALI-LINK-FC, PBM-DALI-LINK-4W-BLE, PD11-DALI-LINK-FLAT

Order data

Designation	Colour	Art.No
STARTERSET-DALI-LINK-SMALL-OFFICE		93840

Accessories

Designation	Colour	Art.No
PS-DALI-LINK-FC	white	92846
PD11-DALI-LINK-FLAT-FC	white	93068
PBM-DALI-LINK-4W-BLE	-	92732

Technical data

Voltage:	110 - 277 V AC
Output voltage:	16 V DC (DALI, typical)
Scope of delivery:	PS-DALI-LINK-FC, PBM-DALI-LINK-4W-BLE, PD11-DALI-LINK-FLAT

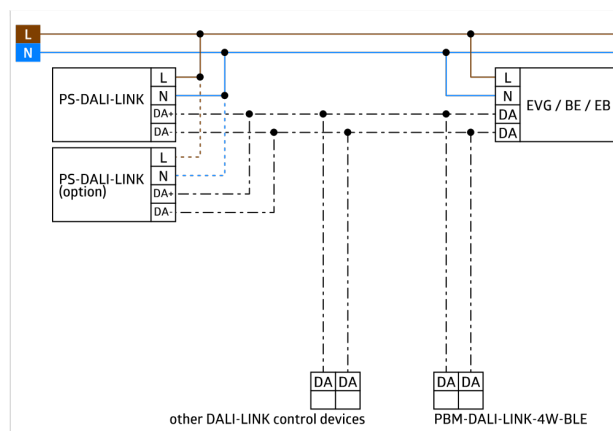
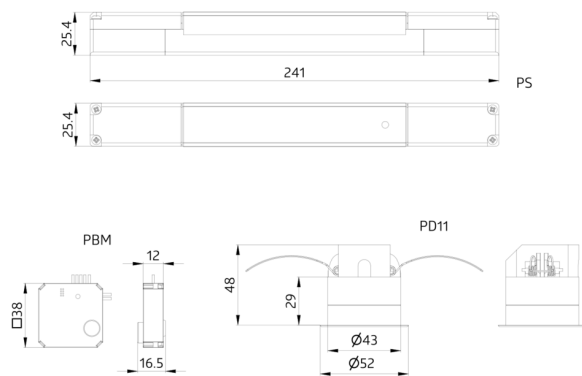
Product information

DALI-LINK Multi Room Solution - Starter Set

DALI pushbutton module with 4 binary inputs and integrated Bluetooth gateway for hidden mounting behind flush mount switches.

Particularly flat, addressable DALI multi sensor with a visible height of only 0.85 mm and with integrated DALI application controller.

DALI power supply for the B.E.G. DALI-LINK multi room solution for installation in suspended ceilings.



Accessories



PS-DALI-LINK-FC

Art.No: 92846

Voltage: 110 - 277 V AC 50 / 60 Hz

Dimensions: 240 x 26 x 26 mm

Output voltage: 16 V DC (DALI, typical)



PD11-DALI-LINK-FLAT-FC

Art.No: 93068

Voltage: via DALI Bus, max. 22.5 V DC

Dimensions: Ø 52 x 48 mm

Settings: PBM-DALI-LINK-4W-BLE + Smartphone with DALI-LINK App (iOS / Android)



PBM-DALI-LINK-4W-BLE

Art.No: 92732

Voltage: via DALI Bus, max. 22.5 V DC

Dimensions: 38 x 38 x 14 mm

Settings: Smartphone with DALI-LINK App (iOS / Android)